



Area and boundary nuisance dust monitor



For site operators and managers who have a requirement for area monitoring, the Dust Detective is an ideal survey tool.



OIL & GAS



CONFINED SPACE



HVAC



MINING



LABORATORIES



COUNCILS



DEFENCE



SHIPPING



FUMIGATION

Control Equipment Pty Ltd ABN 23 009 838 582

Head Office:

Unit 1 / 3 Deakin St
Brendale Qld 4500
Phone: (07) 3481 9000

Postal Address:

PO Box 5904
Brendale Qld 4500
sales@controlequipment.com.au
www.controlequipment.com.au

Offices/Agents in:

Sydney
Melbourne
Adelaide
Perth
Hobart
Auckland
Wellington
Christchurch



Applications

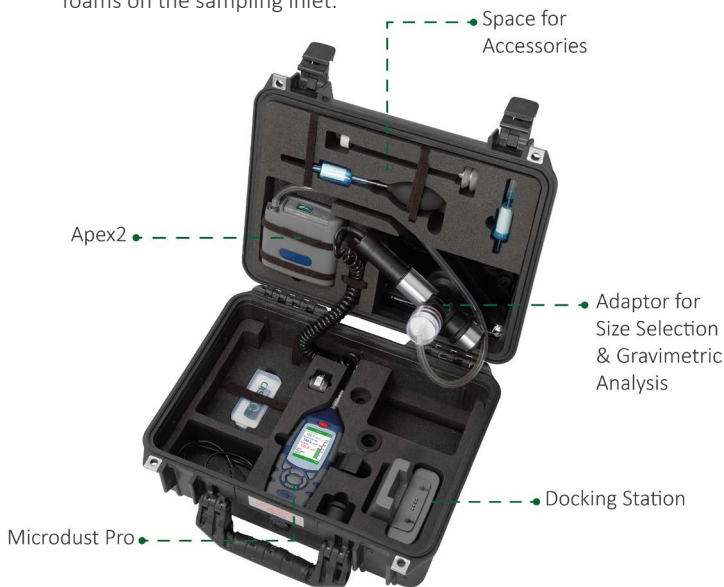
- Environmental Air Sampling
- Site Compliance Survey
- Static Workplace Monitoring

Key Features

- Gravimetric & real-time dust data
- Ease of operation
- Operates up to 13 hours
- Samples for TSP, PM10, PM2.5 and respirable fractions
- Individual instruments can be removed and utilised separately
- No external power supply required

The Dust Detective is a ruggedised enclosure which can hold a Microdust Pro real time dust monitor together with an Apex2 personal air sampling pump. The unit is simple to assemble and allows static air samples to be undertaken on site. The (IP65) enclosure is fully weatherproof, and can be secured in location with padlocks (not supplied) for extra security. The air sample is drawn into the enclosure via size selective filters if required, then gravimetric samples can be obtained for weighing for further analysis.

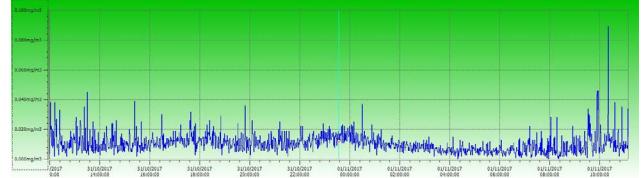
The Microdust Pro allows real time dust levels to be recorded and data downloaded at the end of the sampling period. Graphs with summary data can be generated. The internal dry cell batteries allow operation for 13 hours. Respirable, PM10 and PM2.5 fractions can also be monitored by utilising special inlet foams on the sampling inlet.



Casella Insight Data Management Software



This software package for the Microdust Pro allows the user to identify trends in dust levels, areas of concern and hot spots which will require action, remediation or further attention. Records are kept in a central database and reports easily generated. Casella Insight can also be used with the Casella range of dosimeters and sound level meters.



Technical Specification

Refer to Microdust Pro and Apex2 Personal Air Sampling datasheets for detailed information.

- Battery Life: Typically > 13 hours
 Operating Conditions: Relative humidity of 5 to 90% (non-condensing). Temperature 0 to 40°C.
 Protection: IP65

Ordering Information

CEL-712 Dust Detective Kit: 206107A
 Comprising: Rugged enclosure consisting of PM10, PM2.5 and respirable PUF filters with built-in size selective adaptor. CEL-712 Microdust Pro, calibration insert, cleaning bellows, 3 x AA batteries, USB cable, Insight data management software, instruction manual & field guide (on flash memory drive) and Apex2IS Plus air sampling pump and charger.

Parts can also be ordered separately:

- Dust Detective Enclosure: 206200D
 Microdust Pro Kit: CEL-712/K1
 (Includes Kit Case for Microdust)
 Apex2 Air Sampling Pump: APEX2IS

206200D includes PUF filters for PM2.5, PM10 and respirable dust. Flow meter and gravimetric filters must be ordered separately.

Accessories

P118204	PUF filters (Pk 10) for PM2.5
P118208	PUF filters (Pk 10) for Respirable
P118206	PUF filters (Pk 10) for PM10

* included in 206200D



OIL & GAS



CONFINED SPACE



HVAC



MINING



LABORATORIES



COUNCILS



DEFENCE



SHIPPING



FUMIGATION

Control Equipment Pty Ltd ABN 23 009 838 582

Head Office:

Unit 1 / 3 Deakin St
 Brendale Qld 4500
 Phone: (07) 3481 9000

Postal Address:

PO Box 5904
 Brendale Qld 4500
sales@controlequipment.com.au
www.controlequipment.com.au

Offices/Agents in:

Sydney Hobart
 Melbourne Auckland
 Adelaide Wellington
 Perth Christchurch

