



WORK



PLAY

**SUPERIOR LED LIGHTING FOR
INDUSTRIAL APPLICATIONS**

2018/19

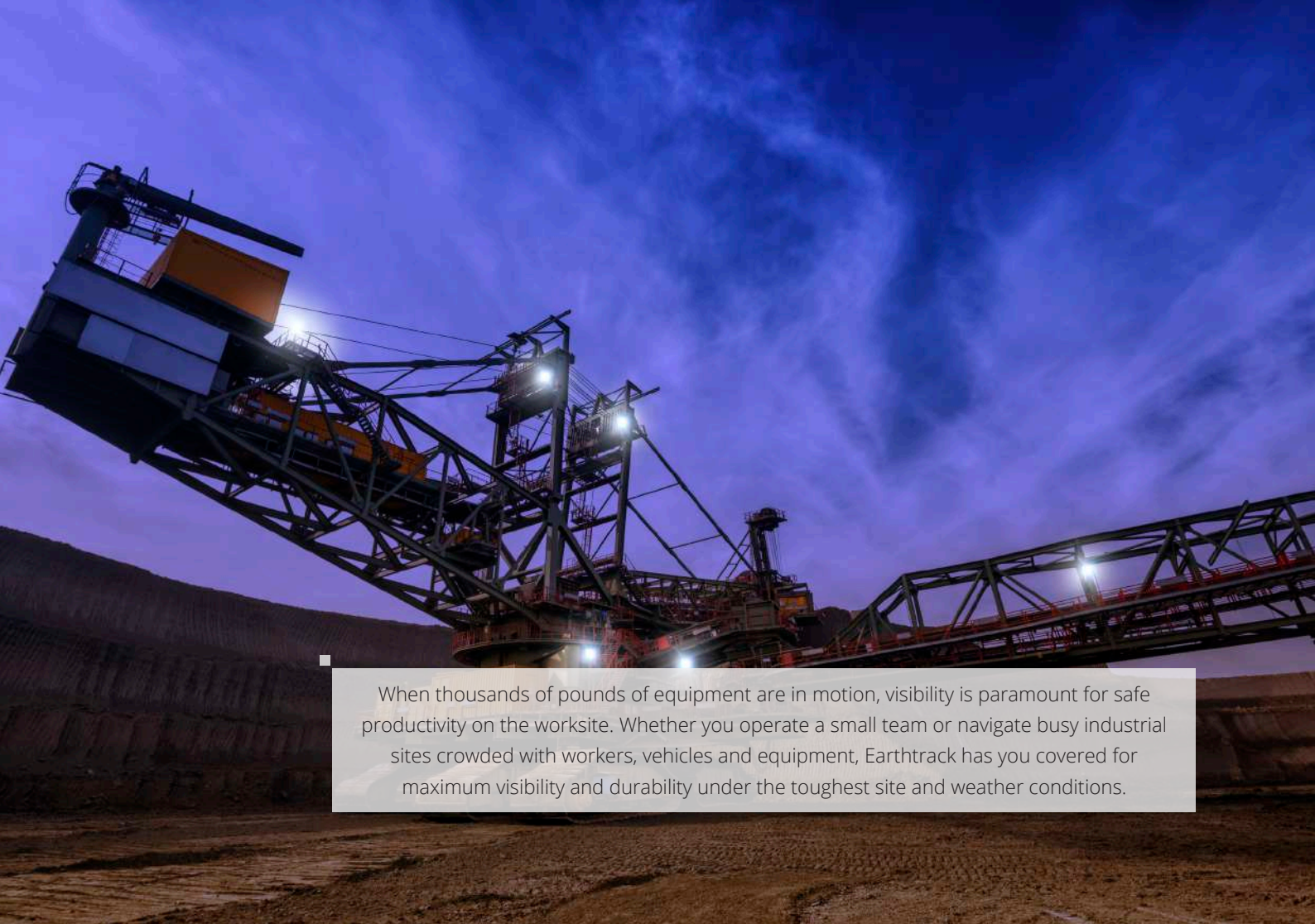
www.etms.com.au

www.earthtrackgroup.com.au

1300 410 485

sales@etms.com.au





When thousands of pounds of equipment are in motion, visibility is paramount for safe productivity on the worksite. Whether you operate a small team or navigate busy industrial sites crowded with workers, vehicles and equipment, Earthtrack has you covered for maximum visibility and durability under the toughest site and weather conditions.

TRIED & TESTED IN THE EXTREME HEAT OF AUSTRALIA. PROVEN TOUGH FOR NORTH AMERICA'S DIVERSE CONDITIONS.

Earthtrack Supply Group is the foremost supplier of industrial LED lights built tough and made to last even under the harshest conditions. Whether you are deep in the northern mines, running heavy construction equipment, or working long nights to harvest your crops, Earthtrack Supply Group has LED lighting solutions you can count on.

After the workday is done, then it's time to hit the trails in the off-road truck or Quad, and let the high-powered Earthtrack LEDs light the way for play! We offer an extensive line up of LED lighting options for your personal vehicle or off-road toys. Standard headlights may be fine for urban areas, but when you hit bad weather or remote road conditions, count on Earthtrack LED driving lights to lead the way for maximum visibility.



WORK LIGHTS 05

For Safe Productivity.

When safety and productivity are on the line, you need Earthtrack heavy duty LED work lights to provide maximum durability and visibility under the toughest conditions.



LIGHT BARS 22

Wide Coverage. Compact Design.

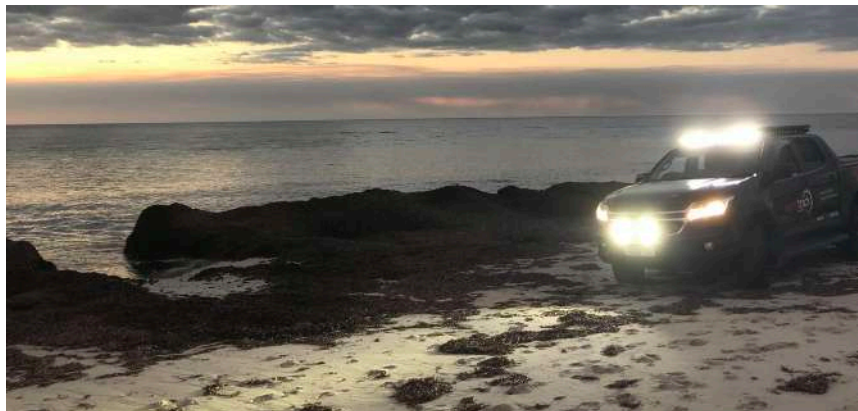
When one or two single driving lights just won't do, step it up with Earthtrack's premium LED Light Bars for your high-visibility needs on remote roads or trail environment.



DRIVING LIGHTS 49

See Further. See Better.

Standard headlights may be fine for urban areas, but when you hit the trail or remote road conditions, count on Earthtrack LED driving lights to lead the way for maximum visibility.



ACCESSORIES 56

Compact Personal Lighting.

From headlamps to mounting accessories, personal workspace LED lighting is important for workforce safety and productivity in the field.







WORK LIGHTS





SPECIFICATIONS

Wattage	100 Watt
Light Source	20 × 5W Cree LEDs
Light Output	5,575 Lumen
Voltage	12V–48V DC
Current Draw	7.54A @ 12V and 3.77A @ 24V
Operating Temp.	-40°C to +85°C
Colour Temp.	6500K
Vibration	25G rms
IP Rating	IP67
Connector Type	Deutsch DT 2 Pin
Housing	ADS12 Aluminum
Lens Construction	Polycarbonate
Bracket	Stainless Steel
Lifespan	50,000+ Hours
Net Weight	3.0 kg (6.2 lbs.)
Mounting Suitable	Upright & Pendant
Warranty	2 Year

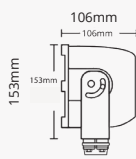
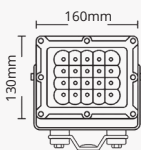
PART NUMBER

COMPACT SIDE MOUNT

Euro Beam	EV1000LEDEU/CS
Wide Flood Beam	EV1000LEDWF/CS

HEAVY DUTY MOUNT

Euro Beam	EV1000LEDEU/Y
Wide Flood Beam	EV1000LEDWF/Y

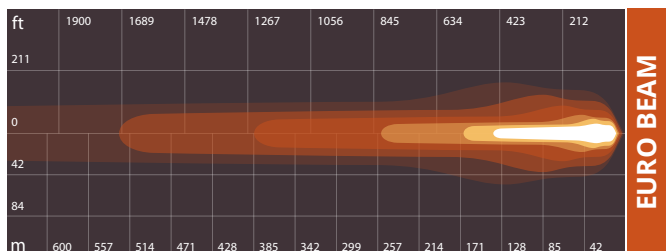
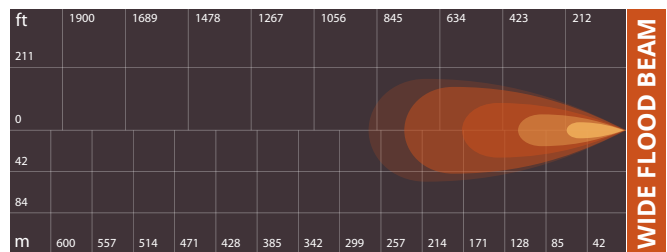


EV1000 WORK MASTER

The heavy duty work series 100W LED light offers the very latest in high powered LED technology, and is ideal for use on heavy duty mining or construction vehicles.

Superbly compact and exceptionally tough, it's stainless steel, adjustable bracket helps to ensure an accurate, stable beam, even in high vibration environments.

Housed in a square, high quality ADS12 aluminum housing, with a virtually indestructible polycarbonate lens. The back of the housing features large cooling ribs for optimized heat dissipation.



15 10 5 2 1 0.5 lux

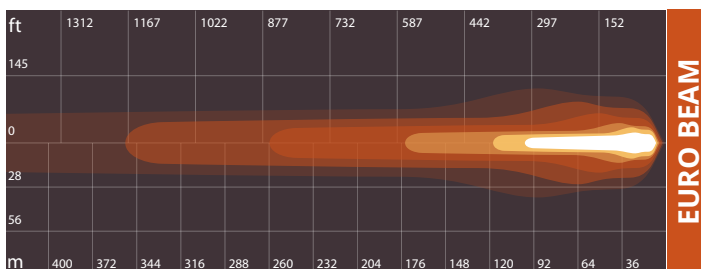
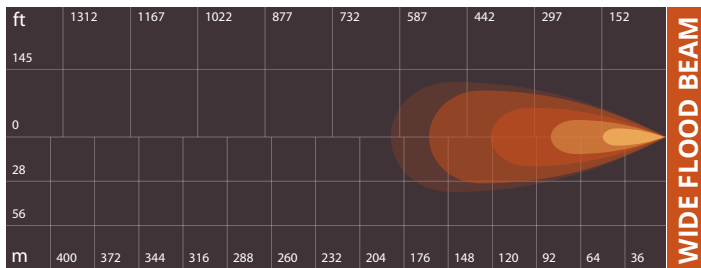


EV600 WORK MASTER

The heavy duty work series 60W LED light offers the very latest in high powered LED technology, and is ideal for use on heavy duty mining or construction vehicles.

Superbly compact and exceptionally tough, it's stainless steel, adjustable bracket helps to ensure an accurate, stable beam, even in high vibration environments.

Housed in a square, high quality ADS12 aluminum housing, with a virtually indestructible polycarbonate lens. The back of the housing features large cooling ribs for optimized heat dissipation.



SPECIFICATIONS

Wattage	60 Watt
Light Source	12x 5W Cree LEDs
Light Output	3,258 Lumen
Voltage	12V-48V DC
Current Draw	4.2A @ 12V and 2.1A @ 24V
Operating Temp.	-40°C to +85°C
Colour Temp.	6500K
Vibration	25G rms
IP Rating	IP68
Connector Type	Deutsch DT 2 Pin
Housing	ADS12 Aluminum
Lens Construction	Polycarbonate
Bracket	Stainless Steel
Lifespan	50,000 Hours
Net Weight	2.4 kg (5.3 lbs)
Mounting Suitable	Upright & Pendant
Warranty	2 Year

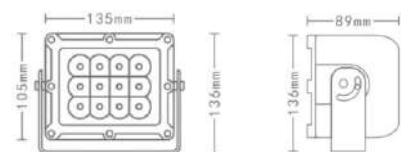
PART NUMBER

COMPACT SIDE MOUNT

Wide Flood Beam	EV600LEDWF/S
Euro Beam	EV600LEDEU/S

HEAVY DUTY MOUNT

Wide Flood Beam	EV600LEDWF
Euro Beam	EV600LEDEU





Australian Design Registration Number 344332

ENFORCER 60W

The Enforcer offers the very latest, high powered LED technology, ideal for use on heavy duty mining vehicles or construction equipment.

Superbly compact and exceptionally tough, the Enforcer has a substantial 145 degrees of adjustment, ensuring a solution to the most demanding applications.

The Enforcer features revolutionary high output optics that produce optimum light levels, along with the utilization of high quality Cree XP-G LEDs, controlled by Electronic Thermal Control.

Electronic Thermal Management (ETM)

ETM monitors the heat output of the LEDs and makes use of integrated Pulse Width Modulation circuitry in order to maintain safe operating temperatures which prolong the LED life span to its full 50,000 hours.

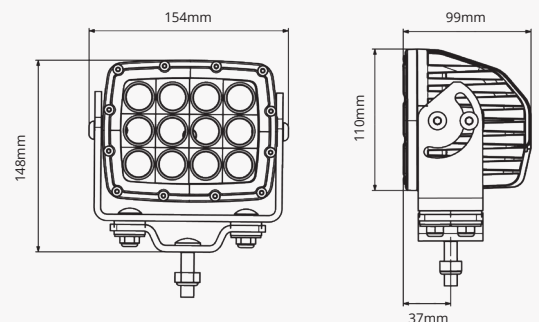
Pulse Width Modulation (PWM)

PWM dimming circuitry is used by the Enforcer to manage heat levels. PWM works by flashing the LED at a frequency faster than the human eye can detect, reducing the time that the LED is operating while still delivering 100% light output.

MOUNTING OPTION



DIMENSIONS



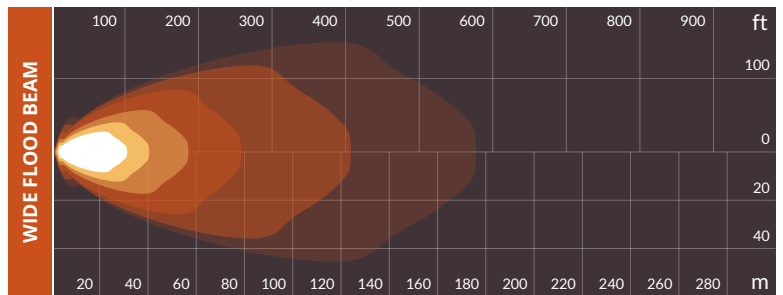
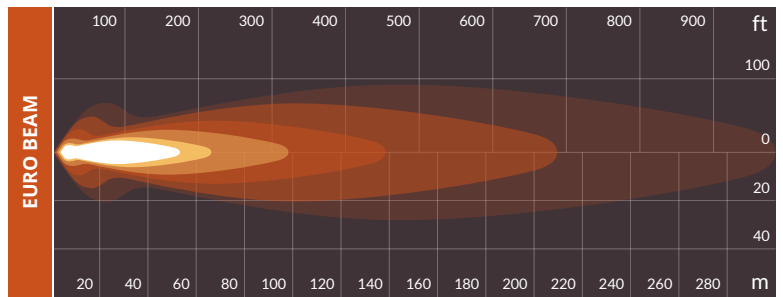


SPECIFICATIONS

Wattage	60 Watt
Light Source	12 × 5W Cree LEDs
Light Output	5,910 Lumen
Voltage	9V-32V DC
Current Draw	5A @ 12V
Operating Temp.	-40°C to +80°C
Vibration	25G rms
IP Rating	IP69
Connector Type	Deutsch DT 2 Pin
Housing	Die-Cast Alloy
Lens Construction	Polycarbonate
Bracket	5mm 316 Stainless Steel
Lifespan	50,000 Hours
Net Weight	2.5 kg (5.5 lbs.)
Mounting Suitable	Upright & Pendent
Beams Available	Wide Flood & Euro
Warranty	5 Years
Dimming Control	Yes (Optional)

PART NUMBERS

Euro Beam	EV512LEDEU/S
Wide Flood Beam	EV512LEDWF/S





Heavy Duty Side Mount

HEAVY DUTY WORK SERIES

The heavy duty work series 50W LED light offers the very latest in high powered LED technology, and is ideal for use on heavy duty mining or construction vehicles.

Superbly compact and exceptionally tough, it offers a substantial 145 degrees of adjustment, ensuring a solution to even the most demanding applications.

The HD Work Series 50W light features revolutionary high output optics that produce optimum light levels with high quality Cree 10W LEDs.



MOUNTING OPTIONS

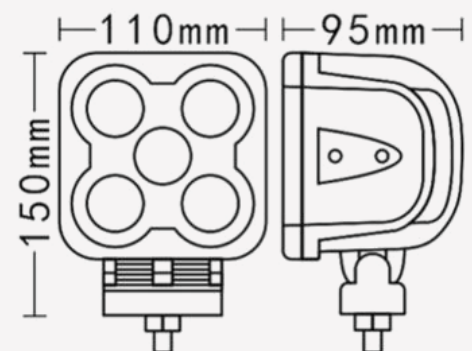


Standard Mount



Compact Side Mount

DIMENSIONS





SPECIFICATIONS

Wattage	50 Watt
Light Source	5 × 10W Cree LEDs
Light Output	3,500 Lumen
Voltage	9V–32V DC
Current Draw	4.1A @ 12V
Operating Temp.	-40°C to +85°C
Colour Temp.	6500K
Vibration	25G rms
IP Rating	IP67
Connector Type	Deutsch DT 2 Pin
Housing	Die-Cast Alloy
Lens Construction	Polycarbonate
Bracket	5mm 316 Stainless Steel
Lifespan	50,000+ Hours
Net Weight	2.0 kg (4.4 lbs.)
Mounting Suitable	Upright & Pendent
Warranty	2 Years

PART NUMBERS

HEAVY DUTY SIDE MOUNT

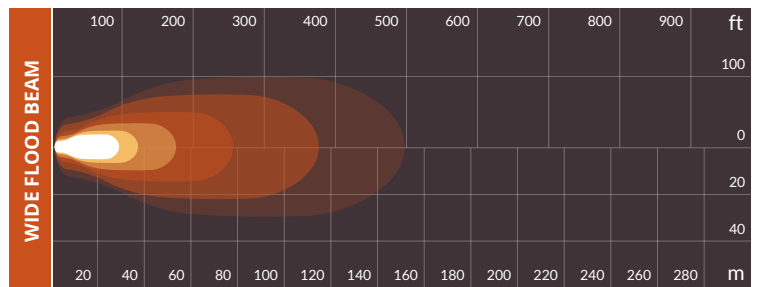
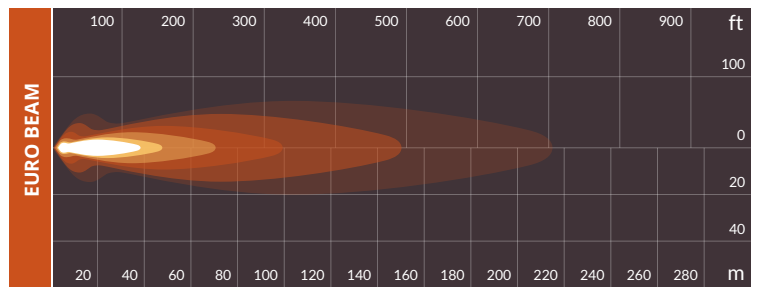
Euro Beam	EV500LEDEU/Y
Wide Flood Beam	EV500LEDWF/Y

COMPACT SIDE MOUNT

Euro Beam	EV500LEDEU/CS
Wide Flood Beam	EV500LEDWF/CS

STANDARD MOUNT

Euro Beam	EV500LEDEU/S
Wide Flood Beam	EV500LEDWF/S



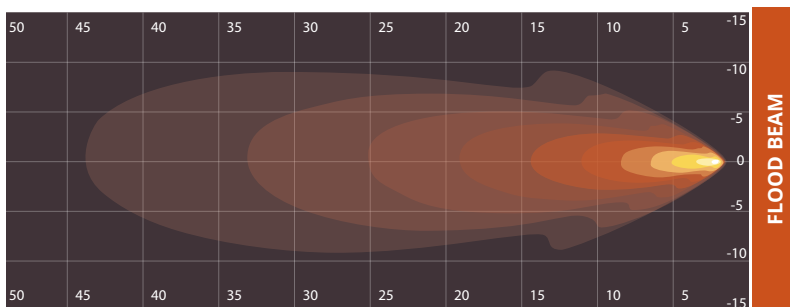
15 10 5 2 1 0.5 lux



WORK BUDDY 28W

The 28W round Work Buddy is extremely versatile with countless applications, and has a handle for adjustment to your work area. The light produces 2,970 lumen while drawing only 1.4 amps.

With a super wide, even spread of light, it is ideal for use on service trucks and rear decks on pick-ups and trailers. These lights are multi-volt and can be used in all industries.

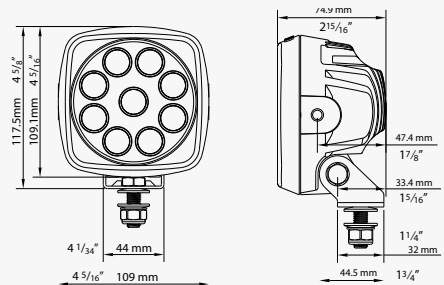


SPECIFICATIONS

Wattage	28 Watt
Light Source	9 × 3W Cree LEDs
Light Output	2,970 Lumen
Voltage	9V-32V DC
Operating Temp.	-40°C to +80°C
IP Rating	IP68
Connector Type	Deutsch DT
Housing	Die-Cast Alloy
Lens Construction	Polycarbonate
Bracket	316 Stainless Steel
Lifespan	50,000 Hours
Net Weight	2,177 g (4.8 lbs.)
Mounting Suitable	All Types
Warranty	1 Year

PART NUMBER

Flood Beam	EWB280LEDWF
-------------------	-------------





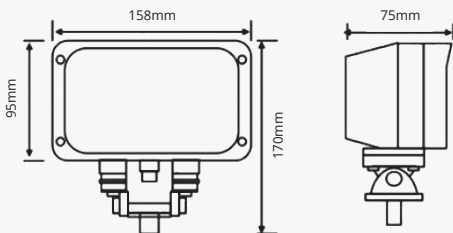
SPECIFICATIONS

Wattage	45 Watt
Light Source	15 × 3W Cree LEDs
Light Output	2,300 Lumen
Voltage	9V-50V DC
Current Draw	1.64A @ 12V
Operating Temp.	-40°C to +80°C
Voltage Protection	Over/Under voltage
Vibration	15G rms
IP Rating	IP67
Connector Type	Deutsch DT 2 Pin
Housing	Die-Cast Alloy
Body	Anodized Polyester Powdercoat
Lens Construction	Polycarbonate
Bracket	316 Stainless Steel
Colour Temp.	6500K
Lifespan	30,000 Hours
Net Weight	1,089 g (2.4 lbs.)
Mounting Suitable	All Types
Warranty	2 Year

PART NUMBER

Flood Beam EVWB450LED

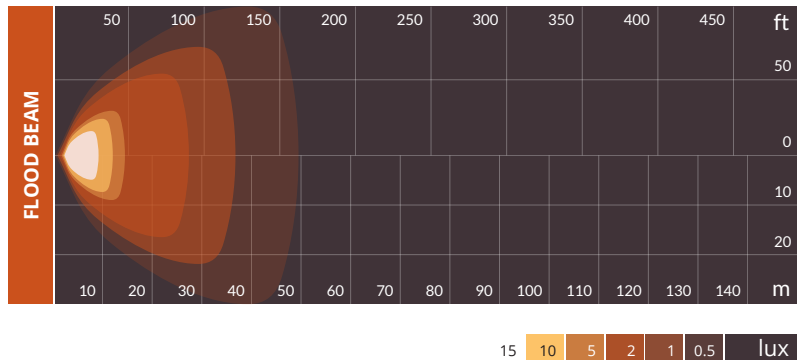
DIMENSIONS



WORK BUDDY 45W

The 45W rectangular Work Buddy is an extremely versatile light with countless applications. The light produces 2,300 lumen while drawing only 1.64 amps.

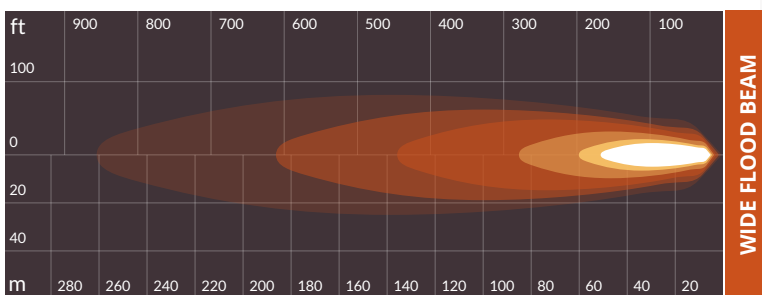
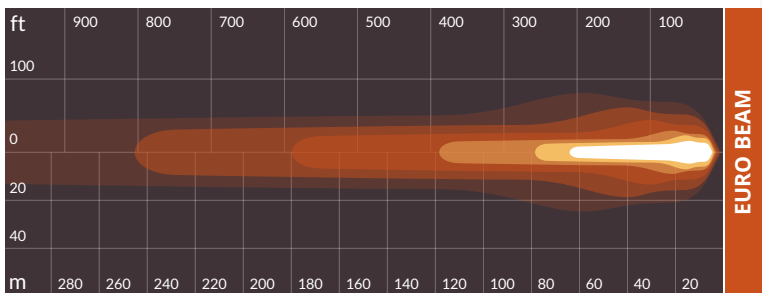
With a super wide, even spread of light, it is ideal for use on service trucks and rear decks on trailers and commercial vehicles. These lights are multi-volt and can be used in all industries.





FIREBLADE 80W

The 80W Fireblade is low profile and ideal for where large light output is required, producing a massive 7,600 lumen.



SPECIFICATIONS

Wattage	80 Watt
Light Source	8 × 10W Cree LEDs
Light Output	7,600 Lumen
Voltage	9V-48V DC
Current Draw	6.6A @ 12V
Operating Temp.	-40°C to +80°C
Vibration	15G rms
IP Rating	IP68
Connector Type	Deutsch DT 2 Pin
Housing	Die-Cast Alloy
Lens Construction	Polycarbonate
Bracket	Stainless Steel
Lifespan	50,000 Hours
Net Weight	1.65 kg (3.6 lbs.)
Mounting Suitable	All Types
Warranty	3 Years

PART NUMBERS

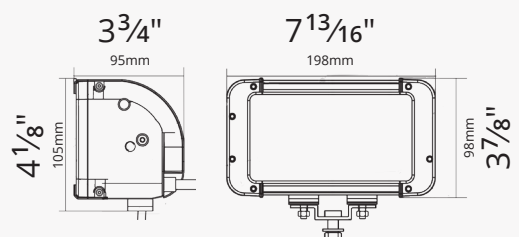
STANDARD MOUNT

Euro Beam	EVD108LEDEU
Wide Flood Beam	EVD108LEDWF

HEAVY DUTY MOUNT

Euro Beam	EVD108LEDEU/HD
Wide Flood Beam	EVD108LEDWF/HD

DIMENSIONS





Stainless steel mounting brackets, polycarbonate lens, and a waterproof alloy housing.

SPECIFICATIONS

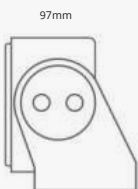
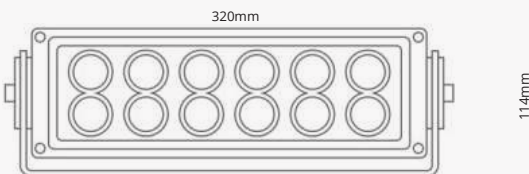
Wattage	120 Watt
Light Source	12 × 10W Cree LEDs
Light Output	7,191 Lumen
Voltage	12V-48V DC
Current Draw	5.8A @ 12V 2.9A @ 24V
Operating Temp.	-40°C to +80°C
Color Temperature	6000K
IP Rating	IP67
Connector Type	Deutsch DT 2 Pin
Housing	Die-Cast Aluminum
Lens Construction	Polycarbonate
Bracket	304 Stainless Steel
Lifespan	30,000 Hours

Mounting Suitable All Types

PART NUMBERS

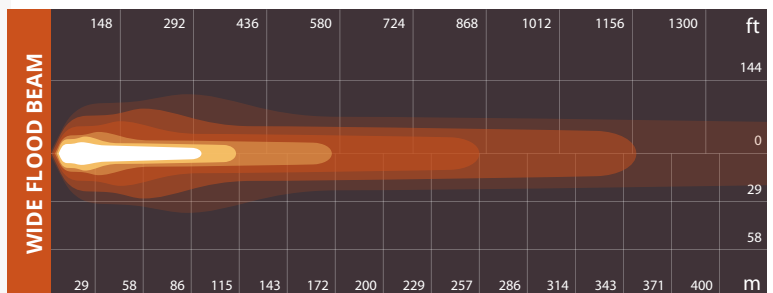
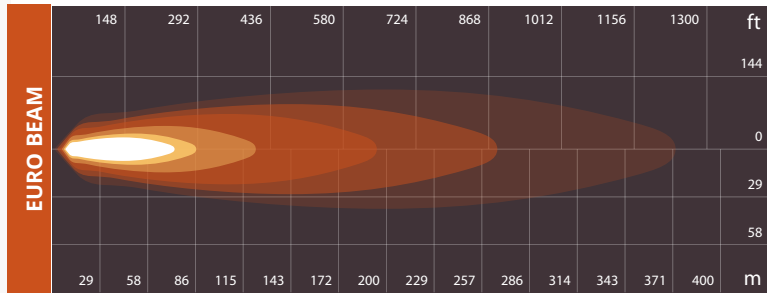
Wide Flood Beam EVD104LEDWF

DIMENSIONS



FIREBLADE WORK MAXX 120W

The 120W Fireblade Maxx is a compact light, producing 7,191 lumen, for the 4WD/off-road, marine, agricultural, or mining industries.



15 10 5 2 1 0.5 lux



Only 2" square, it produces an impressive 900 lumen while only drawing 0.75 amps.

It has the option of interlocking more than one light to another and features multiple mounting options including a handle bar mount and tow bar mount.



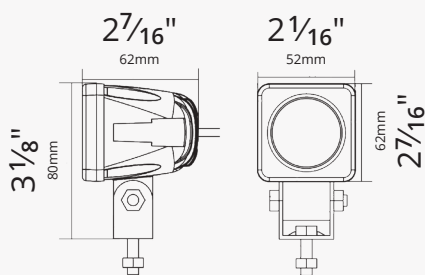
SPECIFICATIONS

Wattage	10 Watt
Light Source	1 × 10W LED
Light Output	900 Lumen
Voltage	12V–48V DC
Current Draw	0.75A @ 12V
Operating Temp.	-40°C to +80°C
Vibration	15.6G rms
IP Rating	IP68
Connector Type	Deutsch DT 2 Pin
Housing	Die-Cast Alloy
Lens Construction	Polycarbonate
Bracket	316 Stainless Steel
Lifespan	50,000 Hours
Net Weight	340 g (12 oz.)
Mounting Suitable	All Types
Warranty	5 Years

PART NUMBERS

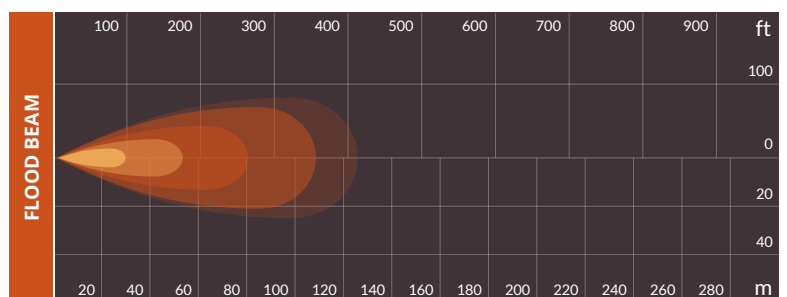
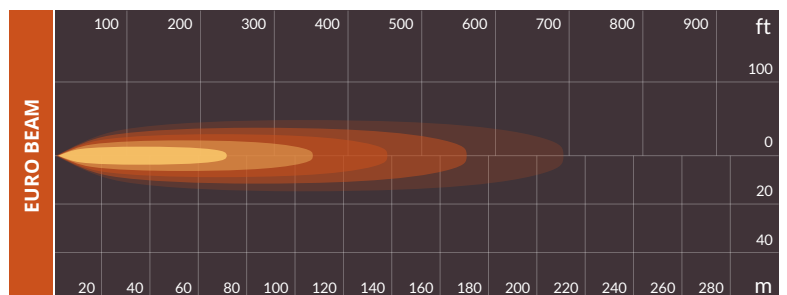
Euro Beam	EV100LEDEU
Flood Beam	EV100LEDWF

DIMENSIONS



POD 10W

The Pod 10W LED light is an extremely compact and versatile model, suitable for numerous applications.



15 10 5 2 1 0.5 lux



Available in two beam types, with the wide flood producing a super wide, even spread of light, and the euro beam producing a longer range targeted spread beam.

Ideal for use as an extra reverse light, camping lights, or engine bay lights. These lights are multi-volt and can be used in all industries.



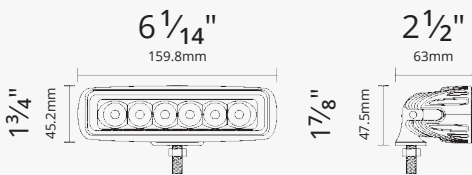
SPECIFICATIONS

Wattage	18 Watt
Light Source	6 × 3W Cree LEDs
Light Output	1,800 Lumen
Voltage	9V-50V DC
Current Draw	1.34A @ 12V
Operating Temp.	-40°C to +80°C
Vibration	15G rms
IP Rating	IP67
Connector Type	Deutsch DT 2 Pin
Housing	Die-Cast Alloy
Lens Construction	Polycarbonate
Bracket	316 Stainless Steel
Lifespan	50,000 Hours
Net Weight	500 g (1.1 lbs.)
Mounting Suitable	All Types
Warranty	1 Year

PART NUMBERS

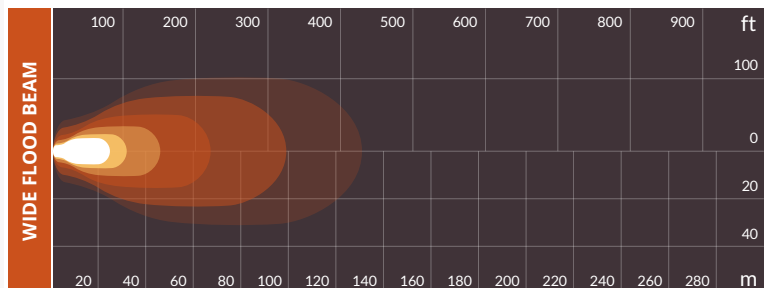
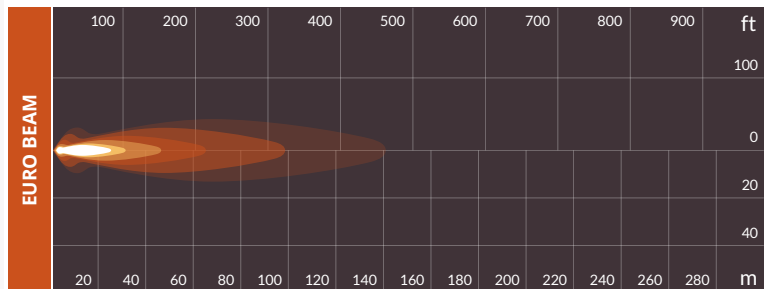
Euro Beam	EVXS180LEDEU
Wide Flood Beam	EVXS180LEDWF

DIMENSIONS



EXTREME II SLIMLINE 18W

The 18W LED Slimline Pod is an extremely low profile, universal light with countless applications. It produces 1,800 lumen while drawing only 1.34 amps.



15 10 5 2 1 0.5 lux



UTILITY SERIES: EV900

The EV900 is compact and versatile, with applications that range from rear reverse lights to camping lights to small farm equipment lights. These 27-watt universal lights produce a solid 1,970 lumen. The EV900 comes standard with a stainless steel bracket and offers round or square body options.



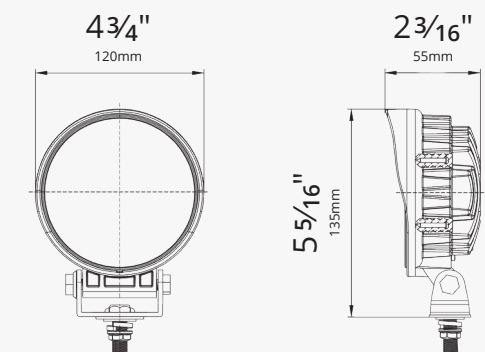
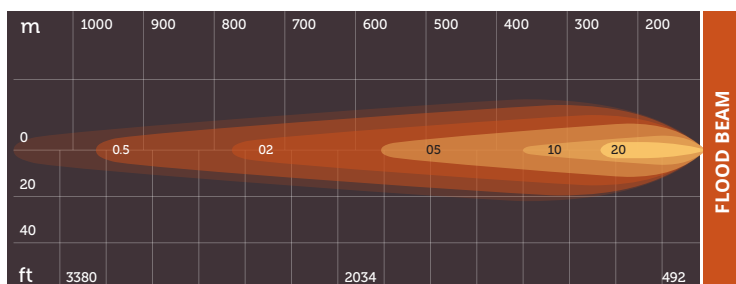
SPECIFICATIONS

Wattage	27 Watt
Light Source	9 × 3W Cree LEDs
Light Output	1,970 Lumen
Voltage	9V-30V DC
Current Draw	2.0A @ 12V
Vibration	8G rms
IP Rating	IP67
Housing	Die-Cast Alloy
Lens Construction	Polycarbonate
Bracket	Stainless Steel
Lifespan	50,000 Hours
Net Weight	900 g (2 lbs.)
Mounting Suitable	All Types
Beams Available	Flood Beam

PART NUMBERS

Round Work Light	EV900LEDWF/R
Square Work Light	EV900LEDWF/S

DIMENSIONS



lux	0.5	1	2	5	10	15
-----	-----	---	---	---	----	----

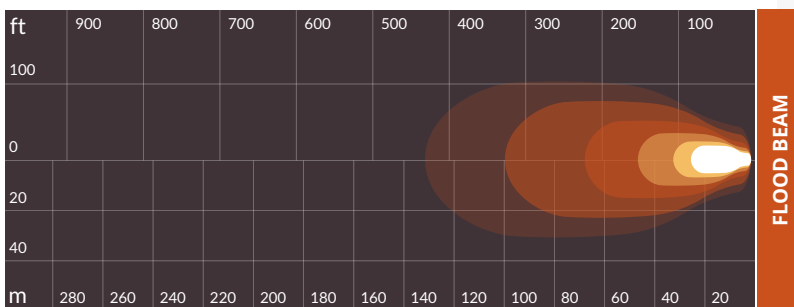


EXTREME II 30W

The 30W LED work pod is an extremely compact, universal light with countless applications. 4-inch square in size, it produces 3,100 lumen while drawing only 2.34 amps, and has a super wide, even spread of light.

Ideal for use with small to medium excavators, bobcats, wheel loaders, or road graders and other construction and logging machinery.

These lights are multi-volt and can be used in all industries.



lux	0.5	1	2	5	10	15
-----	-----	---	---	---	----	----

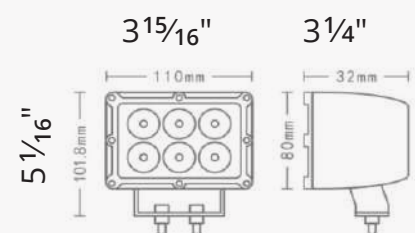
SPECIFICATIONS

Wattage	30 Watt
Light Source	6 × 5W Cree LEDs
Light Output	3,100 Lumen
Voltage	9V–50V DC
Current Draw	2.34A @ 12V
Operating Temp.	-40°C to +80°C
Vibration	15G rms
IP Rating	IP68
Connector Type	Deutsch DT 2 Pin
Housing	Die-Cast Alloy
Lens Construction	Polycarbonate
Bracket	316 Stainless Steel
Lifespan	50,000 Hours
Net Weight	900 g (2 lbs.)
Mounting Suitable	All Types
Warranty	3 Year

PART NUMBER

Wide Flood Beam	EVX300LEDWF
Euro Beam	EVX300LEDEU

DIMENSIONS





OVAL HEAVY DUTY LED WORK LIGHT

This 6" heavy duty work light is ideal for use on heavy duty construction equipment and off road vehicles.

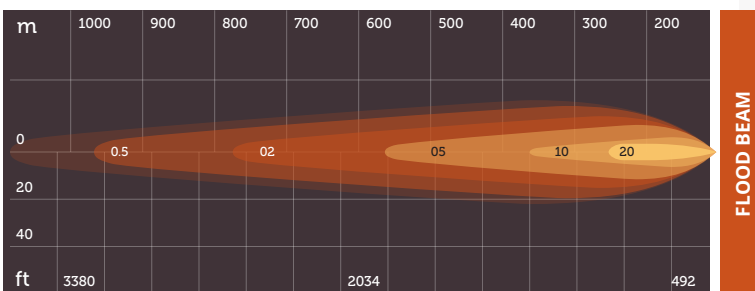
Its stainless steel, adjustable bracket helps ensure an accurate, stable beam, even in high vibration environments.

The unique, eye-catching oval housing is made from rugged aluminum, providing optimal strength and heat dissipation.

An IP Rate of 68 ensures that this heavy duty light is waterproof and dustproof, and is resistant to salt water.



10V-30V MULTI-VOLT 9V-50V MULTI-VOLT IP68 WATERPROOF 50,000 HR LIFESPAN AL 6061 HOUSING IMPACT RESISTANT LOW POWER DRAW



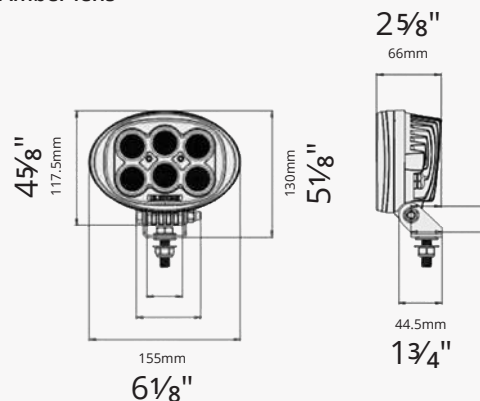
lux 0.5 1 2 5 10 15

SPECIFICATIONS

Wattage	60 Watt
Light Source	6 × 10W Cree LEDs
Light Output	5,400 Lumen
Voltage	9V-50V DC
Operating Temp.	-40°C to +105°C
IP Rating	IP68
Connector Type	Deutsch
Housing	Die-Cast Aluminum
Lens Construction	Polycarbonate
Light Transmittance	>93%
Bracket	Stainless Steel
Lifespan	50,000 Hours
Colour Temperature	6,000K
Warranty	2 Years

PART NUMBER

Wide Flood Beam, Clear lens	EV600LEDWF
Euro Beam, Clear lens	EVX600EU
Wide Flood Beam, Amber lens	EVX600LEDWF-A
Euro Beam, Amber lens	EVX600EU-A



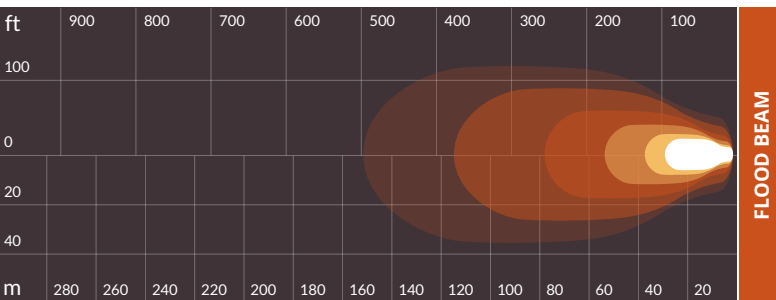


FORKLIFT SAFETY LIGHT

Minimize the risk of blind corners, dock areas, and crossing aisles with our 4-Inch 10W LED Work Lights featuring Cree LED chip technology.

Ideal for use on forklifts, these blue spotlights shine beyond the forklift to alert anyone in their path.

The adjustable angle, unique optical design, and IP67 rating results in a very effective light. The lights can be installed on the front and/or back of forklifts as well as any other industrial equipment.



lux 0.5 1 2 5 10 15



SPECIFICATIONS

Wattage	10 Watt
Light Source	2 × 5W Cree LEDs
Light Output	700 Lumen
Voltage	9V–48V DC
Current Draw	.75A @ 12V
Operating Temp.	-40°C to +80°C
Vibration	15G rms
IP Rating	IP67
Connector Type	Deutsch DT 2 Pin
Housing	Die-Cast Aluminum
Lens Construction	Polycarbonate
Bracket	Stainless Steel
Lifespan	50,000 Hours
Net Weight	450 g (1 lb.)
Warranty	1 Year

PART NUMBER

4 Inch 10W LED	EV4010
-----------------------	--------



LIGHT BARS

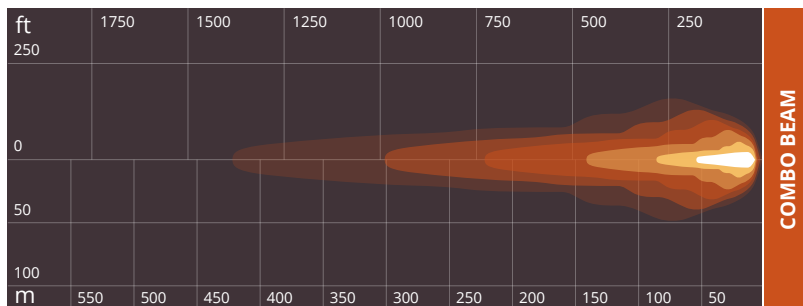
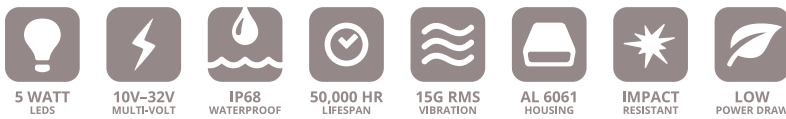




12-Inch 120W

COMMANDER 120W

The 120W 12-Inch Commander is the smallest in its range. This compact 10,660-lumen light bar is cased in a die-cast aluminum housing, includes waterproof connections, and is suited to many potential applications. These dual row light bars have a combo beam pattern which illuminates a 90-degree angle with an 8-degree central beam, providing a broad and clear light. The superior optical PC lens material enhances the beam intensity by 50% without using additional current draw from the battery, making the Commanders some of the brightest and most efficient lights on the market.



lux 0.5 1 2 5 10 15

715 lux @ 10m

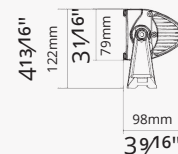
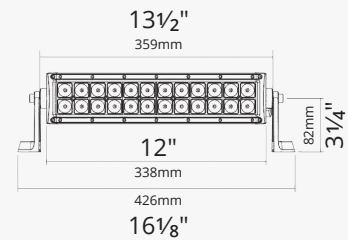
SPECIFICATIONS

Wattage	120 Watt
Light Source	24 × 5W Cree LEDs
Light Output	10,660 Lumen
Voltage	10V-32V DC
Current Draw	4.2A @ 12V
Operating Temp.	-40°C to +80°C
Vibration	15G rms
IP Rating	IP68
Connector Type	Deutsch DT 2 Pin
Housing	Aluminum
Lens Cover	Polycarbonate Clear
Lifespan	50,000 Hours
Width	426 mm (12 inches)
Warranty	2 Years

PART NUMBER

Combo Beam EVC120LEDE

DIMENSIONS





20-Inch 200W



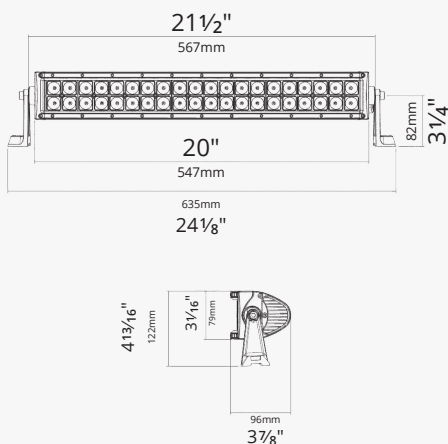
SPECIFICATIONS

Wattage	200 Watt
Light Source	40 × 5W Cree LEDs
Light Output	17,600 Lumen
Voltage	10V–32V DC
Current Draw	8.2A @ 12V
Operating Temp.	-40°C to +80°C
Vibration	15G rms
IP Rating	IP67
Connector Type	Deutsch DT 2 Pin
Housing	Aluminum
Lens Cover	Polycarbonate Clear
Lifespan	50,000 Hours
Width	635 mm (20 inches)
Warranty	2 Years

PART NUMBER

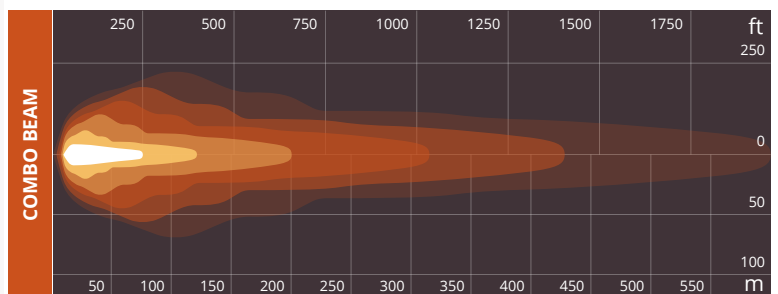
Combo Beam	EVC200LEDE
------------	------------

DIMENSIONS



COMMANDER 200W

Commander light bars have a strong yet lightweight die-cast aluminum housing with an IP67 waterproof rating, making them fit for even the most extreme environments. These dual row light bars have a combo beam pattern which illuminates a 90-degree angle with an 8-degree central beam providing a broad and clear light. The superior optical PC lens material enhances the beam intensity by 50% without using additional current draw from the battery, making the Commanders some of the brightest and most efficient lights on the market.



715 lux @ 10m

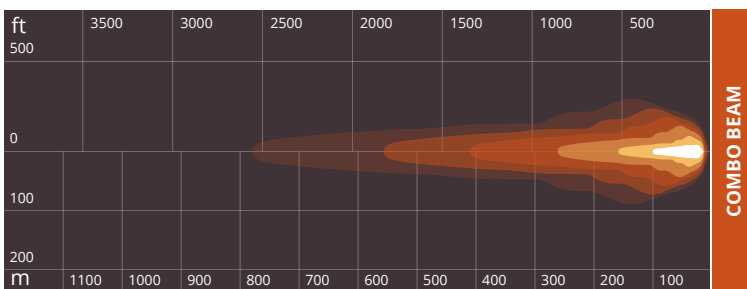




30-Inch 300W

COMMANDER 300W

At 30 inches wide, the Commander 300W dual row light bar is mainly used for larger vehicles and trucks. Commander light bars have a strong yet lightweight die-cast aluminum housing with an IP67 waterproof rating, making them fit for even the most extreme environments. These dual row light bars have a combo beam pattern which illuminates a 90-degree angle with an 8-degree central beam providing a broad and clear light. The superior optical PC lens material enhances the beam intensity by 50% without using additional current draw from the battery, making the Commanders some of the brightest and most efficient lights on the market.



lux 0.5 1 2 5 10 15

715 lux @ 10m

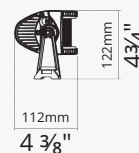
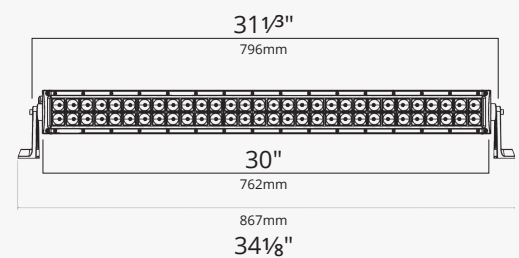
SPECIFICATIONS

Wattage	300 Watt
Light Source	60 × 5W Cree LEDs
Light Output	26,400 Lumen
Voltage	10V–32V DC
Current Draw	13A @ 12V
Operating Temp.	-40°C to +80°C
Vibration	15G rms
IP Rating	IP67
Connector Type	Deutsch DT 2 Pin
Housing	Aluminum
Lens Cover	Polycarbonate Clear
Lifespan	50,000 Hours
Width	886 mm (30 inches)
Warranty	2 Years

PART NUMBER

Combo Beam EVC300LEDE

DIMENSIONS





40-Inch 400W



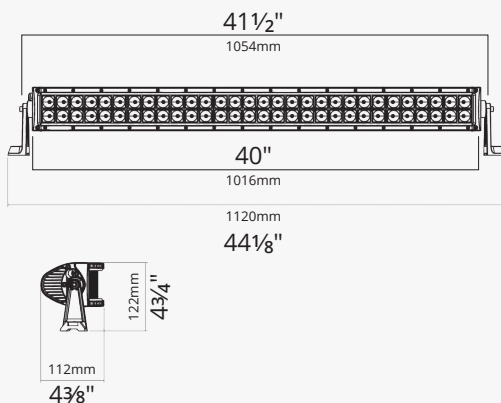
SPECIFICATIONS

Wattage	400 Watt
Light Source	80 × 5W Cree LEDs
Light Output	35,200 Lumen
Voltage	10V-32V DC
Current Draw	17A @ 12V
Operating Temp.	-40°C to +80°C
Vibration	15G rms
IP Rating	IP68
Connector Type	Deutsch DT 2 Pin
Housing	Aluminum
Lens Cover	Polycarbonate Clear
Lifespan	50,000 Hours
Width	1137 mm (40 inches)
Warranty	2 Years

PART NUMBER

Combo Beam	EVC400LEDE
-------------------	------------

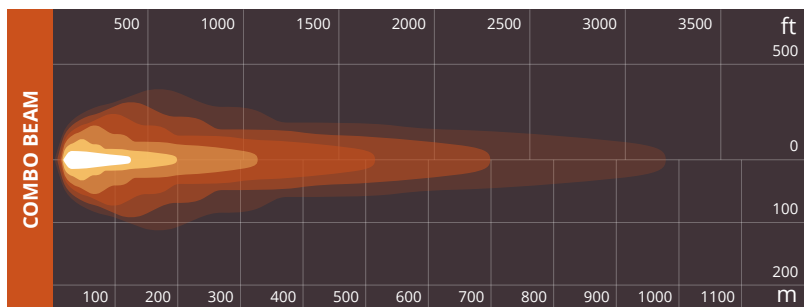
DIMENSIONS



COMMANDER 400W

At 40 inches wide, the Commander 400W dual row light bar is a perfect fit for larger vehicles and equipment. Commander light bars have a strong yet lightweight die-cast aluminum housing with an IP68 waterproof rating, making them fit for even the most extreme environments. These dual row light bars have a combo beam pattern which illuminates a 90-degree angle with an 8-degree central beam providing a broad and clear light. The superior optical PC lens material enhances the beam intensity by 50% without using additional current draw from the battery, making the Commanders some of the brightest and most efficient lights on the market.

- 5 WATT
LEDS
- 10V-32V
MULTI-VOLT
- IP68
WATERPROOF
- 50,000 HR
LIFESPAN
- 15G RMS
VIBRATION
- AL 6061
HOUSING
- IMPACT
RESISTANT
- LOW
POWER DRAW



715 lux @ 10m

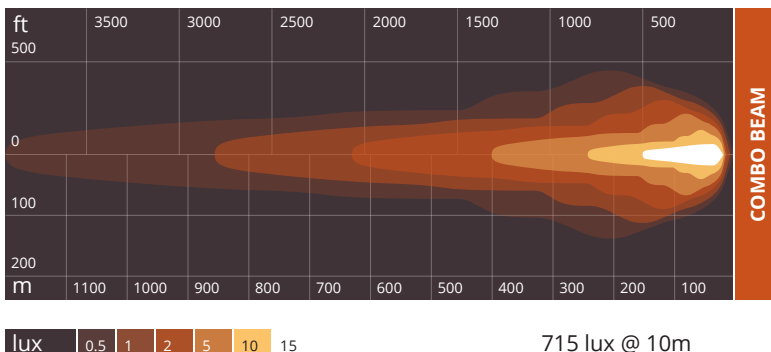
15 10 5 2 1 0.5 lux



50-Inch 480W

COMMANDER 480W

This 50-Inch 480W monster is a perfect fit for the outdoor enthusiast when light coverage matters most on big scale vehicles and equipment. Commander light bars have a strong yet lightweight die-cast aluminum housing with an IP68 waterproof rating, making them fit for even the most extreme environments. These dual row light bars have a combo beam pattern which illuminates a 90-degree angle with an 8-degree central beam providing a broad and clear light. The superior optical PC lens material enhances the beam intensity by 50% without using additional current draw from the battery, making the Commanders some of the brightest and most efficient lights on the market.



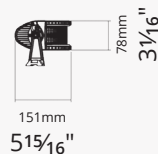
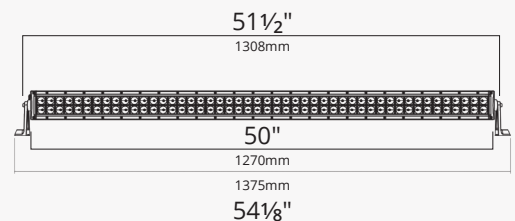
SPECIFICATIONS

Wattage	480 Watt
Light Source	96 × 5W Cree LEDs
Light Output	43,200 Lumen
Voltage	10V-32V DC
Current Draw	18A @ 12V
Operating Temp.	-40°C to +80°C
Vibration	15G rms
IP Rating	IP68
Connector Type	Deutsch DT 2 Pin
Housing	Aluminum
Lens Cover	Polycarbonate Clear
Lifespan	50,000 Hours
Width	1342 mm (50 inches)
Warranty	2 Years

PART NUMBER

Combo & Flood Beam EVC480LEDE

DIMENSIONS





12-Inch 120W



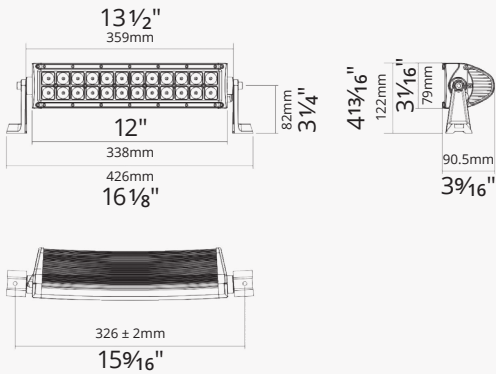
SPECIFICATIONS

Wattage	120 Watt
Light Source	24 × 5W Cree LEDs
Light Output	10,660 Lumen
Voltage	10V–30V DC
Current Draw	4.2A @ 12V
Operating Temp.	-40°C to +80°C
Vibration	15G rms
IP Rating	IP68
Connector Type	Deutsch DT 2 Pin
Housing	Aluminum
Lens Cover	Polycarbonate Clear
Lifespan	50,000 Hours
Width	426 mm (12 inches)
Warranty	2 Years

PART NUMBER

Combo Beam	EVE120LEDE
-------------------	------------

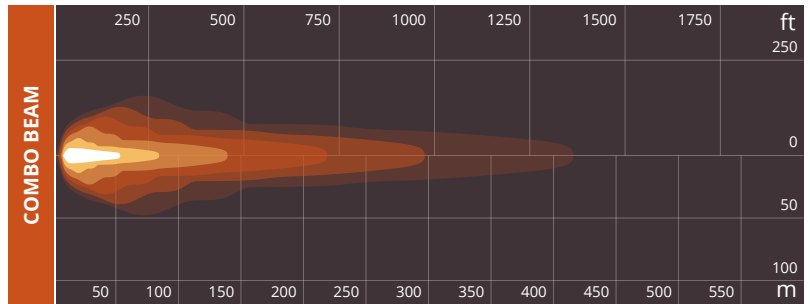
DIMENSIONS



ECLIPSE 120W

The Eclipse 120W light bar is the smallest curved light bar available from Earthtrack. It is waterproof IP67 rated and attaches through a strong aluminium bracket for maximum durability with minimum added weight.

- 5 WATT
LEDS
- 10V-30V
MULTI-VOLT
- IP68
WATERPROOF
- 50,000 HR
LIFESPAN
- 15G RMS
VIBRATION
- AL 6061
HOUSING
- IMPACT
RESISTANT
- LOW
POWER DRAW



715 lux @ 10m

15 10 5 2 1 0.5 lux



20-Inch 200W

ECLIPSE 200W

The Eclipse 200W light bar combines 2 rows of 20 × 5 watt Cree LEDs with a superior optical PC lens material to give the brightest and most efficient light on the market.

The PC optical lenses used by each LED enhances the beams intensity by 50% without using any more current draw from the battery.

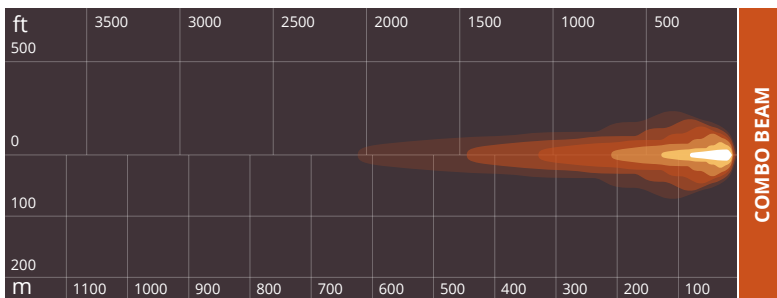
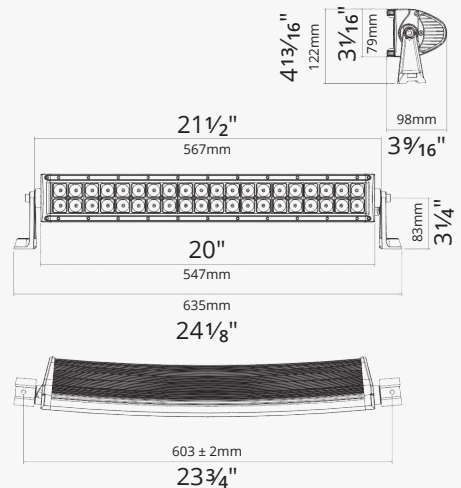
SPECIFICATIONS

Wattage	200 Watt
Light Source	40 × 5W Cree LEDs
Light Output	17,600 Lumen
Voltage	10V-30V DC
Current Draw	8.2A @ 12V
Operating Temp.	-40°C to +80°C
Vibration	15G rms
IP Rating	IP68
Connector Type	Deutsch DT 2 Pin
Housing	Aluminum
Lens Cover	Polycarbonate Clear
Lifespan	50,000 Hours
Width	635 mm (20 inches)
Warranty	2 Years

PART NUMBER

Combo Beam EVE200LEDE

DIMENSIONS



lux 0.5 1 2 5 10 15

715 lux @ 10m



30-Inch 300W



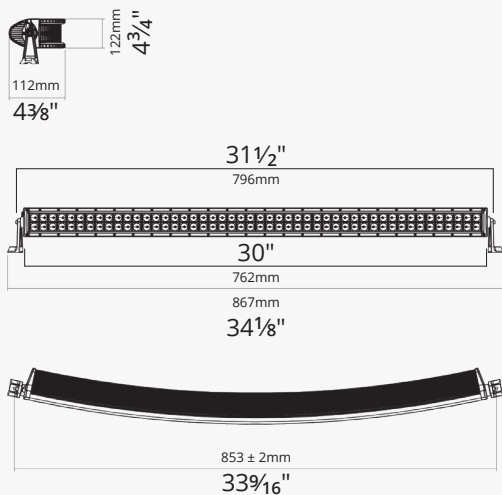
SPECIFICATIONS

Wattage	300 Watt
Light Source	60 × 5W Cree LEDs
Light Output	26,400 Lumen
Voltage	10V–30V DC
Current Draw	13A @ 12V
Operating Temp.	-40°C to +80°C
Vibration	15G rms
IP Rating	IP68
Connector Type	Deutsch DT 2 Pin
Housing	Aluminum
Lens Cover	Polycarbonate Clear
Lifespan	50,000 Hours
Width	886 mm (30 inches)
Warranty	2 Years

PART NUMBER

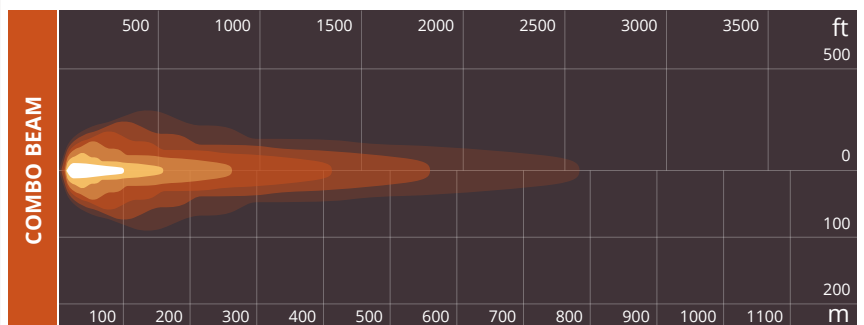
Combo Beam	EVE300LEDE
-------------------	------------

DIMENSIONS



ECLIPSE 300W

The Eclipse 300W light bar is the most popular sized in the Eclipse curved range of lightbars. It is waterproof IP68 rated and attaches through a strong aluminium bracket for maximum durability with minimum added weight.



715 lux @ 10m

15 10 5 2 1 0.5 lux

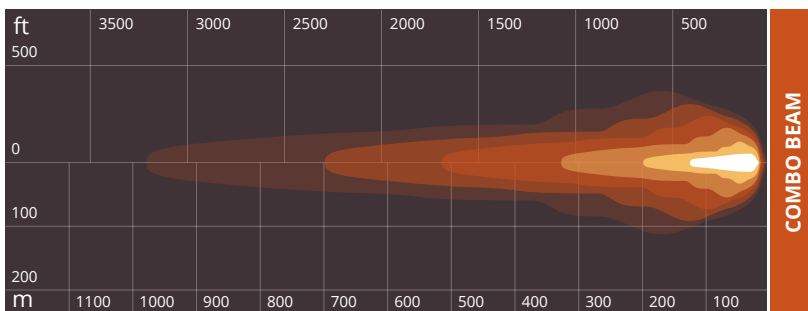


40-Inch 400W

ECLIPSE 400W

The 400W Eclipse light bar is an option for those looking for a curved light bar with a bit more power.

The 2 rows of LEDs allow for more power without making the lightbar too wide.



715 lux @ 10m

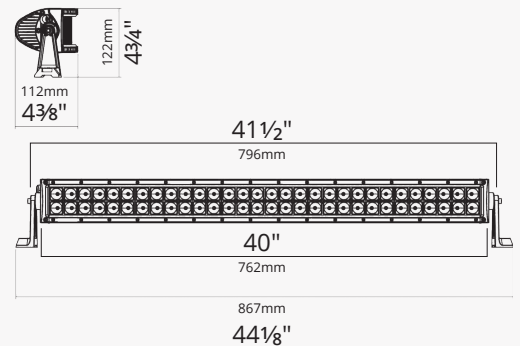
SPECIFICATIONS

Wattage	400 Watt
Light Source	80 × 5W Cree LEDs
Light Output	35,200 Lumen
Voltage	10V-30V DC
Current Draw	17A @ 12V
Operating Temp.	-40°C to +80°C
Vibration	15G rms
IP Rating	IP68
Connector Type	Deutsch DT 2 Pin
Housing	Aluminum
Lens Construction	Polycarbonate
Lifespan	50,000 Hours
Width	1137 mm (40 inches)
Warranty	2 Years

PART NUMBER

Combo Beam	EVE400LEDE
------------	------------

DIMENSIONS





50-Inch 480W



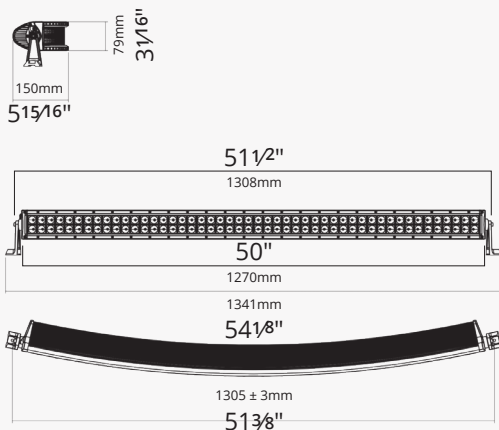
SPECIFICATIONS

Wattage	480 Watt
Light Source	96 × 5W Cree LEDs
Light Output	43,200 Lumen
Voltage	10V–30V DC
Current Draw	18A @ 12V
Operating Temp.	-40°C to +80°C
Vibration	15G rms
IP Rating	IP68
Connector Type	Deutsch DT 2 Pin
Housing	Aluminum
Lens Construction	Polycarbonate
Lifespan	50,000 Hours
Width	1342 mm (50 inches)
Warranty	2 Years

PART NUMBER

Combo Beam	EVE480LEDE
-------------------	------------

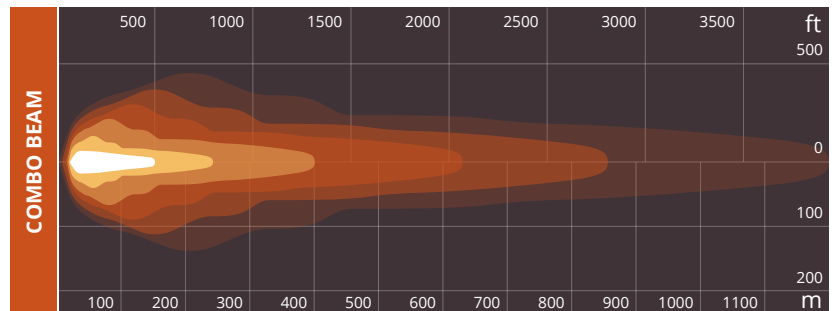
DIMENSIONS



ECLIPSE 480W

The Eclipse 480W lightbar is the most powerful in its range. With an output of 43,200 lumen it can light well into the road ahead.

Curved lightbars offer a better width of lighting. This makes night driving safer as it allows the driver to notice any wildlife that may be crossing the vehicles path earlier.



715 lux @ 10m

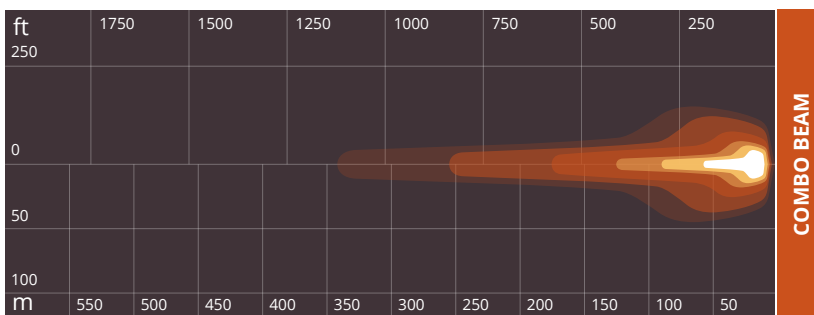




10-Inch 60W

FIREBLADE 60W

The Fireblade 10-Inch 60W LED light produces 5,700 lumen from its American Cree LEDs. This low profile, extremely compact light bar is designed to withstand harsh treatment caused by heavy vibration experienced on rough off-road tracks.



lux 0.5 1 2 5 10 15

425 lux @ 10m

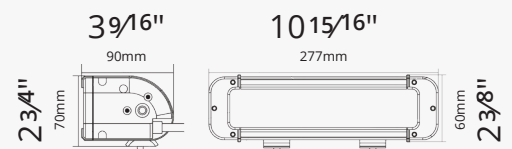
SPECIFICATIONS

Wattage	60 Watt
Light Source	6 × 10W Cree LEDs
Light Output	5,700 Lumen
Voltage	9V-48V DC
Current Draw	5A @ 12V
Operating Temp.	-40°C to +80°C
Vibration	15G rms
IP Rating	IP68
Connector Type	Deutsch DT 2 Pin
Housing	Aluminum
Lens Construction	Polycarbonate
Lifespan	50,000 Hours
Net Weight	1.5 kg (3.3 lbs.)
Warranty	3 Years
Beams Available	Combo

PART NUMBER

Combo Beam EVS106LEDE

DIMENSIONS





17-Inch 100W



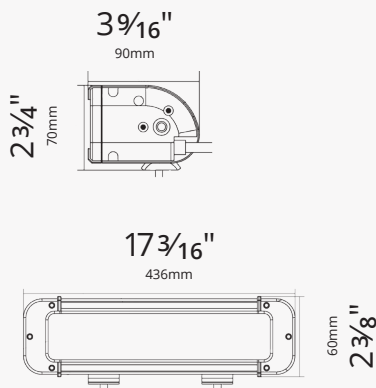
SPECIFICATIONS

Wattage	100 Watt
Light Source	10 × 10W Cree LEDs
Light Output	9,500 Lumen
Voltage	9V-48V DC
Current Draw	8.3A @ 12V
Operating Temp.	-40°C to +80°C
Vibration	15G rms
IP Rating	IP68
Connector Type	Deutsch DT 2 Pin
Housing	Aluminum
Lens Construction	Polycarbonate
Lifespan	50,000 Hours
Net Weight	2.4 kg (5.3 lbs.)
Warranty	3 Years
Beams Available	Combo

PART NUMBER

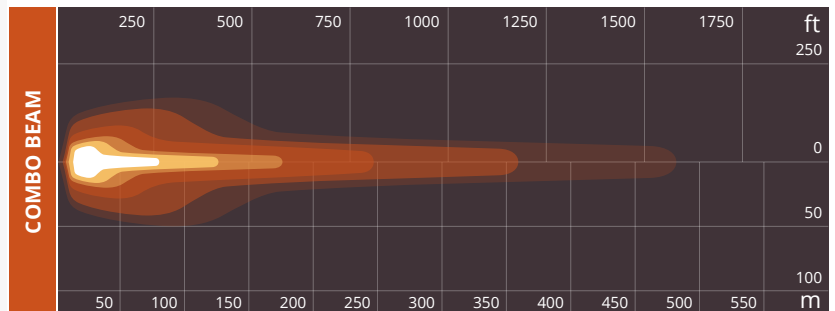
Combo Beam EVS110LEDE

DIMENSIONS



FIREBLADE 100W

The Fireblade 17-Inch 100W LED light bar produces an impressive 9,500-lumen output. This low profile and extremely compact light is designed to withstand harsh treatment found on rough off-road tracks.



575 lux @ 10m

15 10 5 2 1 0.5 lux

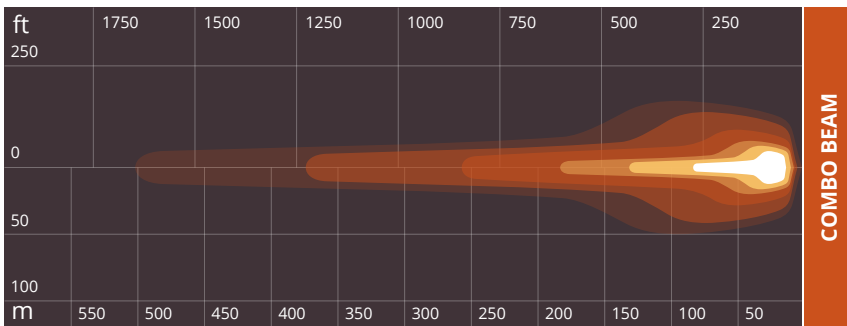


20-Inch 120W

FIREBLADE 120W

The Fireblade 20-Inch 120W LED light bar produces a massive 11,400-lumen output. This low profile, extremely compact light bar is designed to withstand the harsh conditions of the rough off-road tracks.

- 
10 WATT
LEDS
- 
9V-48V
MULTI-VOLT
- 
IP68
WATERPROOF
- 
50,000 HR
LIFESPAN
- 
15G RMS
VIBRATION
- 
AL 6061
HOUSING
- 
IMPACT
RESISTANT
- 
LOW
POWER DRAW



lux 0.5 1 2 5 10 15

698 lux @ 10m

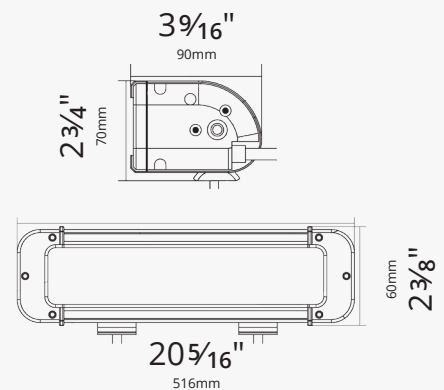
SPECIFICATIONS

Wattage	120 Watt
Light Source	12 × 10W Cree LEDs
Light Output	11,400 Lumen
Voltage	9V-48V DC
Current Draw	10A @ 12V
Operating Temp.	-40°C to +80°C
Vibration	15G rms
IP Rating	IP68
Connector Type	Deutsch DT 2 Pin
Housing	Aluminum
Lens Construction	Polycarbonate
Lifespan	50,000 Hours
Net Weight	2.8 kg (6.2 lbs.)
Warranty	3 Years
Beams Available	Combo

PART NUMBER

Combo Beam EVS112LEDE

DIMENSIONS

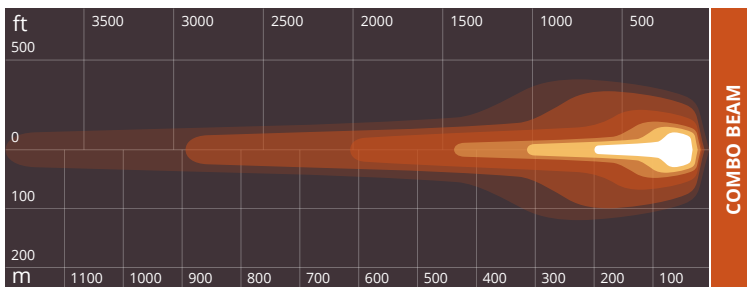




30-Inch 180W

FIREBLADE 180W

The Fireblade 30-Inch 180W LED light bar produces a massive 17,100-lumen output. This streamlined and low profile light bar is designed to withstand the harsh conditions of the rough off-road tracks.



lux 0.5 1 2 5 10 15

1,110 lux @ 10m

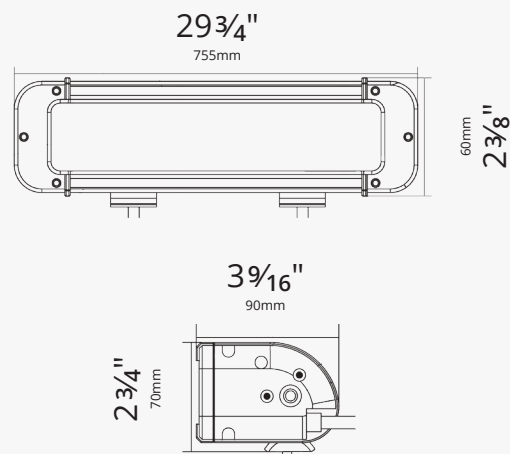
SPECIFICATIONS

Wattage	180 Watt
Light Source	18 × 10W Cree LEDs
Light Output	17,100 Lumen
Voltage	9V-48V DC
Current Draw	15A @ 12V
Operating Temp.	-40°C to +80°C
Vibration	15G rms
IP Rating	IP68
Connector Type	Deutsch DT 2 Pin
Housing	Aluminum
Lens Construction	Polycarbonate
Lifespan	50,000 Hours
Net Weight	4.0 kg (8.8 lbs.)
Warranty	3 Years
Beams Available	Combo Beam

PART NUMBER

Combo Beam EVS118LEDE

DIMENSIONS





42-Inch 260W

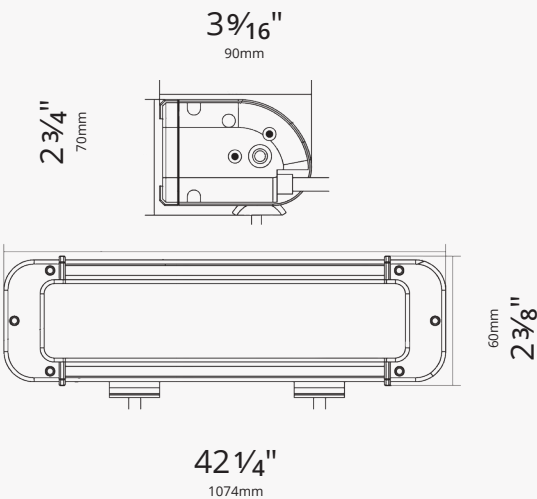
SPECIFICATIONS

Wattage	260 Watt
Light Source	26 × 10W Cree LEDs
Light Output	24,700 Lumen
Voltage	9V–48V DC
Current Draw	22A @ 12V
Operating Temp.	-40°C to +80°C
Vibration	15G rms
IP Rating	IP68
Connector Type	Deutsch DT 2 Pin
Housing	Aluminum
Lens Construction	Polycarbonate
Lifespan	50,000 Hours
Net Weight	5.6 kg (12.3 lbs.)
Warranty	3 Years
Beams Available	Combo Beam

PART NUMBER

Combo Beam EVS126LEDE

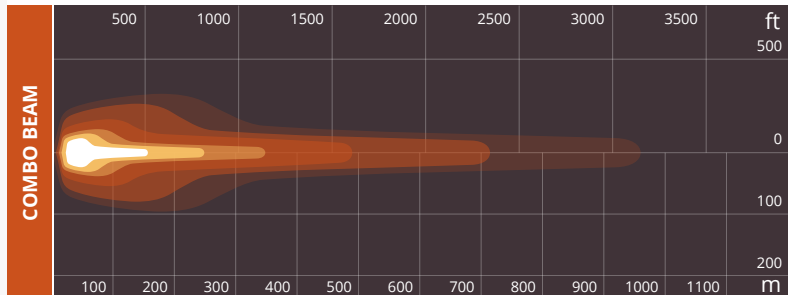
DIMENSIONS



FIREBLADE 260W

The Fireblade 42-Inch 260W LED light bar is the most powerful in our range of LED light bars, producing a substantial 24,700-lumen output. This extremely low profile light bar is designed to withstand the harsh conditions of rough off-road tracks.

- 10 WATT
LEDS
- 9V–48V
MULTI-VOLT
- IP68
WATERPROOF
- 50,000 HR
LIFESPAN
- 15G RMS
VIBRATION
- AL 6061
HOUSING
- IMPACT
RESISTANT
- LOW
POWER DRAW



1,698 lux @ 10m





17-Inch 200W

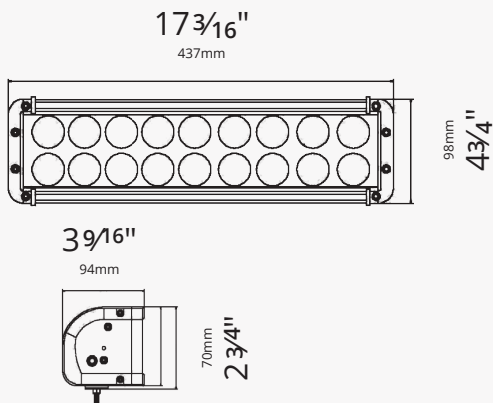
SPECIFICATIONS

Wattage	200 Watt
Light Source	20 × 10W Cree LEDs
Light Output	19,000 Lumen
Voltage	9V-48V DC
Current Draw	17A @ 12V
Operating Temp.	-40°C to +80°C
Vibration	15G rms
IP Rating	IP68
Connector Type	Deutsch DT 2 Pin
Housing	Aluminum
Lens Construction	Polycarbonate
Lifespan	50,000 Hours
Net Weight	4.0 kg (8.8 lbs.)
Warranty	3 Years
Beams Available	Combo Beam

PART NUMBER

Combo Beam	EVS200LEDE
-------------------	------------

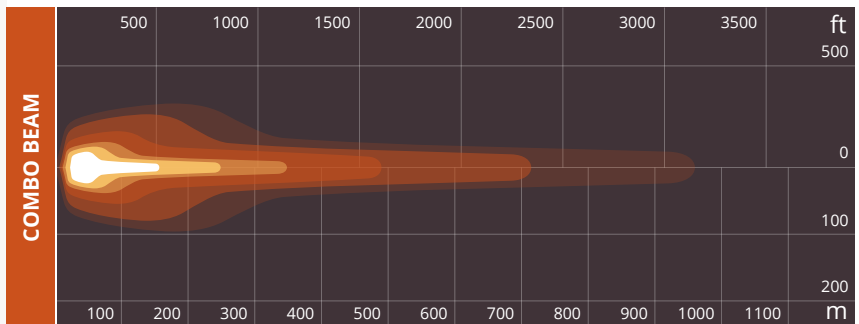
DIMENSIONS



FIREBLADE STACK 200W

The Fireblade 17-Inch 200W stacked LED light bar is less than half the width of the Fireblade 260W. This gives the option of placing the bars side by side to produce even more illumination on the road ahead.

Like all the Fireblade range, the Fireblade Stack can be easily mounted with fully adjustable sliding rubber mounts.



715 lux @ 10m

15 10 5 2 1 0.5 lux



17-Inch 240W

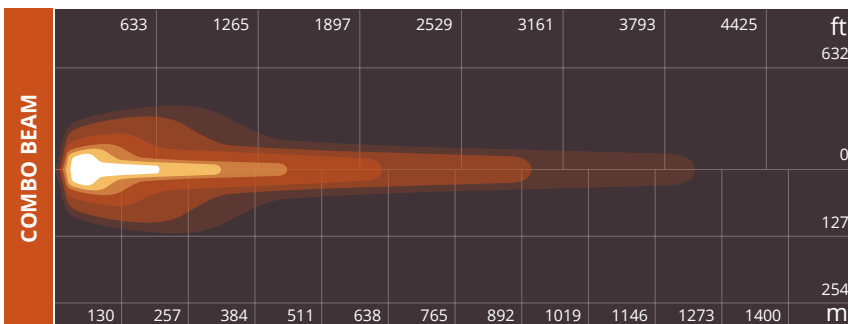
FIREBLADE STACK 240W

The Fireblade 17-Inch 240W stacked LED light bar is less than half the width of the Fireblade 260W. This gives the option of placing the bars side by side to produce even more illumination on the road ahead.

Like all the Fireblade range, the Fireblade Stack can be easily mounted with fully adjustable sliding rubber mounts.



10 WATT LEDs 9V-48V MULTI-VOLT IP68 WATERPROOF 50,000 HR LIFESPAN 15G RMS VIBRATION AL 6061 HOUSING IMPACT RESISTANT LOW POWER DRAW



15 10 5 2 1 0.5 lux

915 lux @ 10m

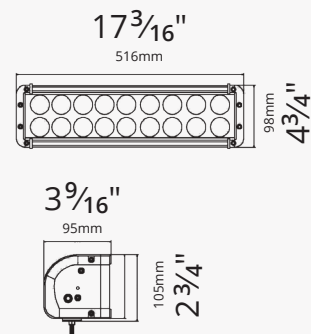
SPECIFICATIONS

Wattage	240 Watt
Light Source	24 × 10W Cree LEDs
Light Output	22,800 Lumen
Voltage	9V-48V DC
Current Draw	20A @ 12V
Operating Temp.	-40°C to +80°C
Vibration	15G rms
IP Rating	IP68
Connector Type	Deutsch DT 2 Pin
Housing	Aluminum
Lens Construction	Polycarbonate
Lifespan	50,000 Hours
Net Weight	5.5 kg (12.1 lbs.)
Warranty	3 Years
Beams Available	Combo Beam

PART NUMBER

Combo Beam EVS240LEDE

DIMENSIONS





11.8 Inch - 60W



SPECIFICATIONS

Wattage	60 Watt
Light Source	6pcs × 10W Cree LEDs
Light Output	7,200 Lumen
Voltage	9V-32V DC
Operating Temp.	-40°C to +85°C
Vibration	15G rms
IP Rating	IP68
Connector Type	DT Connector
Housing	Aluminum alloy
Lens Construction	Polycarbonate
Lifespan	>50,000 Hours
Warranty	3 Years
Beams Available	Combo Beam

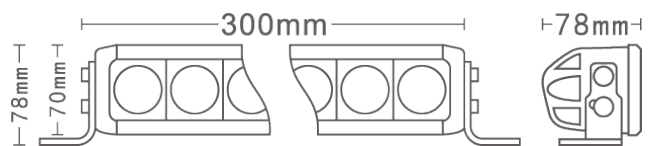
PART NUMBER

Combo Beam	EVFBM106LEDE
-------------------	--------------

FIREBLADE MAXX 60W

The Fireblade 11.8-Inch 60W Fireblade MAXX LED light bar gives the option of placing the bars side by side to produce even more illumination on the road ahead.

Like all the Fireblade MAXX range, the Fireblade Stack can be easily mounted with fully adjustable sliding rubber mounts.





17.2 Inch 90W

FIREBLADE MAXX 90W

The Fireblade 17-Inch 90W stacked LED light bar gives the option of placing the bars side by side to produce even more illumination on the road ahead.

Like all the Fireblade range, the Fireblade Stack can be easily mounted with fully adjustable sliding rubber mounts.

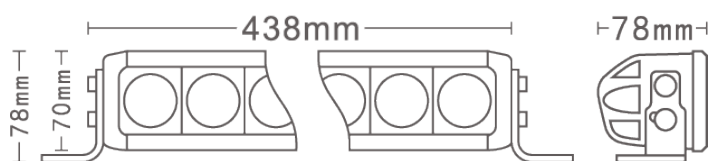


SPECIFICATIONS

Wattage	90 Watt
Light Source	9 × 10W Cree LEDs
Light Output	10,800 Lumen
Voltage	9V-32V DC
Current Draw	20A @ 12V
Operating Temp.	-40°C to +85°C
Vibration	15G rms
IP Rating	IP68
Connector Type	Deutsch DT
Housing	Aluminum
Lens Construction	Polycarbonate
Lifespan	50,000 Hours
Warranty	3 Years
Beams Available	Combo Beam

PART NUMBER

Combo Beam	EVFBM109LEDE
-------------------	--------------





22.7 Inch - 120W

SPECIFICATIONS

Wattage	120 Watt
Light Source	12pcs × 10W Cree LEDs
Light Output	14,400 Lumen
Voltage	9V-32V DC
Operating Temp.	-40°C to +85°C
Vibration	15G rms
IP Rating	IP68
Connector Type	DT Connector
Housing	Aluminum alloy
Lens Construction	Polycarbonate
Lifespan	>50,000 Hours
Warranty	3 Years
Beams Available	Combo Beam

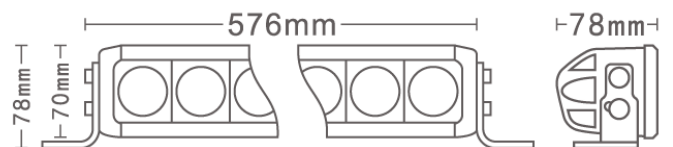
PART NUMBER

Combo Beam	EVFBM112LEDE
-------------------	--------------

FIREBLADE MAXX 120W

The Fireblade 22.7-Inch 120W Fireblade MAXX LED light bar gives the option of placing the bars side by side to produce even more illumination on the road ahead.

Like all the Fireblade MAXX range, the Fireblade Stack can be easily mounted with fully adjustable sliding rubber mounts.





28 Inch 150W

FIREBLADE MAXX 150W

The Fireblade 28 Inch 150W stacked LED light bar gives the option of placing the bars side by side to produce even more illumination on the road ahead.

Like all the Fireblade range, the Fireblade Stack can be easily mounted with fully adjustable sliding rubber mounts.

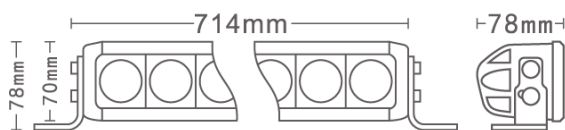


SPECIFICATIONS

Wattage	150 Watt
Light Source	15 × 10W Cree LEDs
Light Output	18,000 Lumen
Voltage	9V-32V DC
Current Draw	20A @ 12V
Operating Temp.	-40°C to +85°C
Vibration	15G rms
IP Rating	IP68
Connector Type	Deutsch DT
Housing	Aluminum
Lens Construction	Polycarbonate
Lifespan	50,000 Hours
Warranty	3 Years
Beams Available	Combo Beam

PART NUMBER

Combo Beam	EVFBM115LEDE
-------------------	--------------





39 Inch - 210W



SPECIFICATIONS

Wattage	210 Watt
Light Source	21pcs x 10W Cree LEDs
Light Output	25,200 Lumen
Voltage	9V-32V DC
Operating Temp.	-40°C to +85°C
Vibration	15G rms
IP Rating	IP68
Connector Type	DT Connector
Housing	Aluminum alloy
Lens Construction	Polycarbonate
Lifespan	>50,000 Hours
Warranty	3 Years
Beams Available	Combo Beam

PART NUMBER

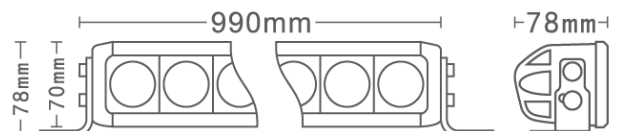
Combo Beam	EVFBM210LEDE
-------------------	--------------

FIREBLADE MAXX 210W

The Fireblade 39-Inch 210W Fireblade MAXX LED light bar gives the option of placing the bars side by side to produce even more illumination on the road ahead.

Fireblade MAXX can be easily mounted with fully adjustable sliding rubber mounts.

							
10 WATT LEDS	9V-32V MULTI-VOLT	IP68 WATERPROOF	50,000 HR LIFESPAN	15G RMS VIBRATION	AL 6061 HOUSING	IMPACT RESISTANT	LOW POWER DRAW





50 Inch 270W

FIREBLADE MAXX 270W

The Fireblade 50 Inch LED light bar gives the option of placing the bars side by side to produce even more illumination on the road ahead.

Fireblade MAXX can be easily mounted with fully adjustable sliding rubber mounts.

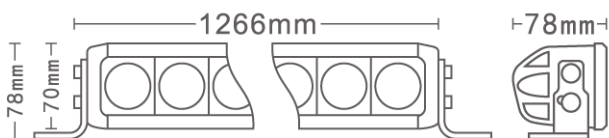


SPECIFICATIONS

Wattage	270 Watt
Light Source	27 × 10W Cree LEDs
Light Output	32,400 Lumen
Voltage	9V-32V DC
Current Draw	20A @ 12V
Operating Temp.	-40°C to +85°C
Vibration	15G rms
IP Rating	IP68
Connector Type	Deutsch DT
Housing	Aluminum
Lens Construction	Polycarbonate
Lifespan	50,000 Hours
Warranty	3 Years
Beams Available	Combo Beam

PART NUMBER

Combo Beam	EVFBM270LEDE
-------------------	--------------





17.2 Inch 90W



SPECIFICATIONS

Wattage	90 Watt
Light Source	9pcs × 10W Cree LEDs
Light Output	10,800 Lumen
Voltage	9V-32V DC
Operating Temp.	-40°C to +85°C
Vibration	15G rms
IP Rating	IP68
Connector Type	DT Connector
Housing	Aluminum alloy
Lens Construction	Polycarbonate
Lifespan	>50,000 Hours
Warranty	3 Years
Beams Available	Combo Beam

PART NUMBER

Combo Beam	EVFBM109LEDC
-------------------	--------------

FIREBLADE MAXX 90W

The Fireblade MAXX Curve lightbars are the most powerful among in its range. With an output of 10,800 lumen it can light well into the road ahead.

Curved lightbars offer a better width of lighting. This makes night driving safer and wild life as it allows the driver to see everything very clear.



10 WATT
LEDS



9V-32V
MULTI-VOLT



IP68
WATERPROOF



50,000 HR
LIFESPAN



15G RMS
VIBRATION



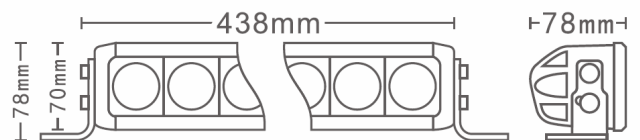
AL 6061
HOUSING



IMPACT
RESISTANT



LOW
POWER DRAW





38.9 Inch 120W

FIREBLADE MAXX 120W

The Fireblade MAXX Curve lightbars are the most powerful among in its range. With an output of 14,400 lumen it can light well into the road ahead.

Curved lightbars offer a better width of lighting. This makes night driving safer and wild life as it allows the driver to see everything very clear.

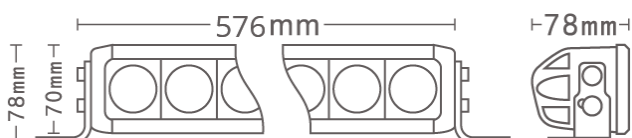


SPECIFICATIONS

Wattage	120 Watt
Light Source	12pcs× 10W Cree LEDs
Light Output	14,400 Lumen
Voltage	12V-48VDC
Current Draw	20A @ 12V
Operating Temp.	-40°C to +85°C
Vibration	15G rms
IP Rating	IP68
Connector Type	Deutsch DT
Housing	Aluminum
Lens Construction	Polycarbonate
Lifespan	50,000 Hours
Warranty	3 Years
Beams Available	Combo Beam

PART NUMBER

Combo Beam	EVFBM112LEDC
-------------------	--------------





49.8 Inch 270W

SPECIFICATIONS

Wattage	270 Watt
Light Source	27pcs × 10W Cree LEDs
Light Output	32,400 Lumen
Voltage	9V-32V DC
Operating Temp.	-40°C to +85°C
Vibration	15G rms
IP Rating	IP68
Connector Type	DT Connector
Housing	Aluminum alloy
Lens Construction	Polycarbonate
Lifespan	>50,000 Hours
Warranty	3 Years
Beams Available	Combo Beam

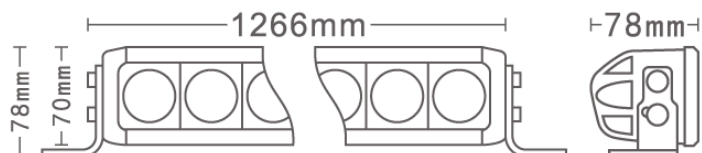
PART NUMBER

Combo Beam	EVFBM270LEDC
------------	--------------

FIREBLADE MAXX 270W

The Fireblade MAXX Curve lightbars are the most powerful among in its range. With an output of 32,400 lumen it can light well into the road ahead.

Curved lightbars offer a better width of lighting. This makes night driving safer and wild life as it allows the driver to see everything very clear.





DRIVING LIGHTS





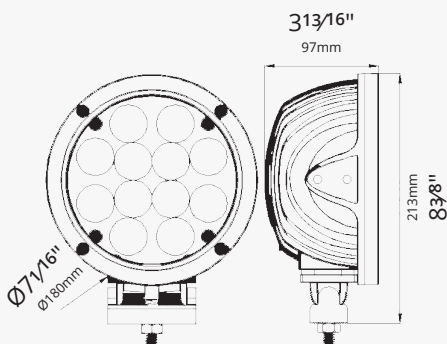
SPECIFICATIONS

Wattage	60 Watt each
Light Source	12 × 5W Cree LEDs
Light Output	5,100 Lumen each
Voltage	12V-48V DC
Current Draw	4.0A @ 12V
IP Rating	IP68
Connector Type	Deutsch DT 2 Pin
Housing	Die-Cast Alloy
Lens Construction	Polycarbonate
Bracket	316 Stainless Steel
Colour	6,000K
Lifespan	50,000 Hours
Vibration	20G rms
Net Weight	2.2 kg (4.9 lbs.)
Mounting Suitable	Upright & Pendent
Warranty	2 Years

PART NUMBERS

Pencil Beam	PV1760LEDP
Spread Beam	PV1760LEDS

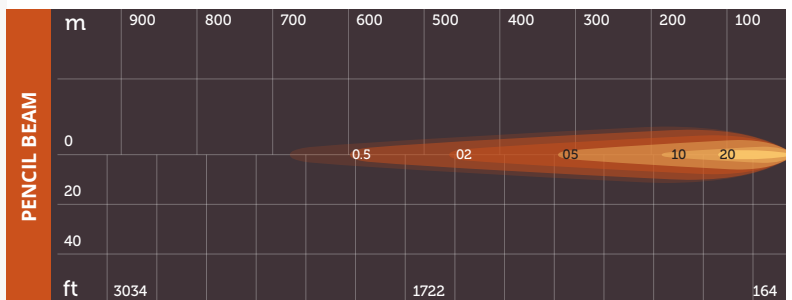
DIMENSIONS



FIREBLADE 60W

The Fireblade 60W LED driving light features 12 × 5W Cree LEDs producing an exceptional 10,200 lumen per pair. With a polycarbonate lens, acrylic lens cover, tough alloy die-cast steel housing and stainless steel fixings, these driving lights are well suited to highway or off-road driving.

DOT CERTIFIED



1,830 lux @ 10m

20 15 10 5 2 1 0.5 lux



FIREBLADE 70W

Delivers exceptional performance. Utilizing a projector optic that gives an exceptional pencil beam as well as a good spread, This enables 580m of functional driving light from 7100 effective Lumens. The stainless steel mounting system makes adjustment simple, but able to Withstand high levels of vibration. Supplied with a Polycarbonate lens cover and Deutsch wiring harness.



10 WATT
LEDS



9V-48V
MULTI-VOLT



IP67
WATERPROOF



30,000+ HR
LIFESPAN



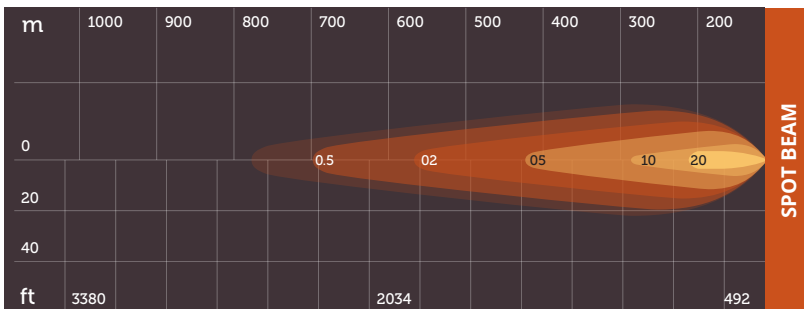
AL 6061
HOUSING



IMPACT
RESISTANT



LOW
POWER DRAW



lux 0.5 1 2 5 10 15

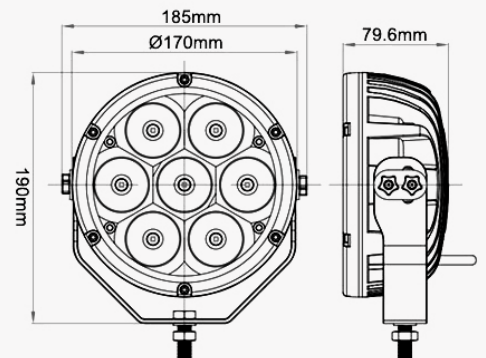


Comes with Clear Lens Cover

SPECIFICATIONS

Wattage	70 Watt
Light Source	7 × 10W Cree LEDs
Light Output	7,100 Lumen
Voltage	12V-48V DC
Operating Temp.	-40°C to +80°C
IP Rating	IP67
Housing	Die-Cast aluminum
Lens Construction	Polycarbonate/Cover
Bracket	304 Stainless Steel
Lifespan	30,000 Hours
Beam	Spot
Color Temperature	6000K
Mounting Suitable	Side Mount
Net Weight	2.4 Kg
Warranty	3 Year

PART NUMBER ETV70FBLED

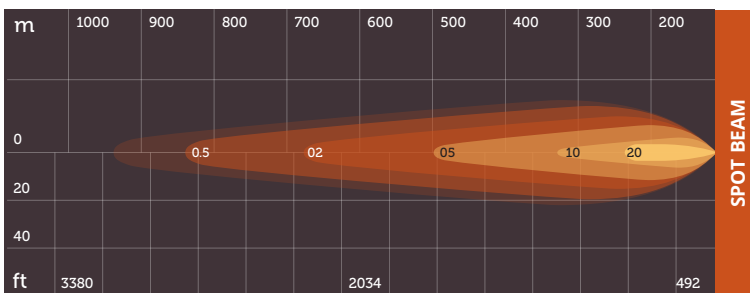




Comes with Clear Lens Cover

FIREBLADE 90W

Delivers exceptional performance. Utilizing a projector optic that gives an exceptional pencil beam as well as a good spread, This enables 650m of functional driving light from 9000 effective Lumens. The stainless steel mounting system makes adjustment simple, but able to Withstand high levels of vibration. Supplied with a Polycarbonate lens cover and Deutsch wiring harness.

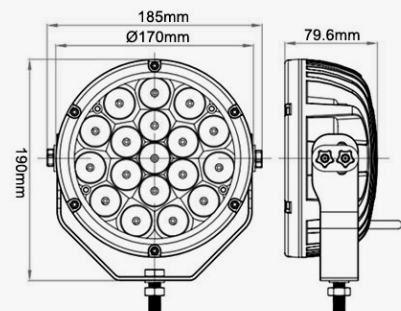


lux 0.5 1 2 5 10 15

SPECIFICATIONS

Wattage	90 Watt
Light Source	18pcs x 5W Cree LEDs
Light Output	9000 Lumen
Voltage	10V-30V DC
Current Draw	7.5A@12V
Operating Temp.	-40°C to +80°C
IP Rating	IP67
Housing	Die-Cast aluminum
Lens Construction	Polycarbonate/Cover
Bracket	304 Stainless Steel
Lifespan	30,000 Hours
Beam	Spot
Color Temperature	6000K
Mounting Suitable	Side Mount
Net Weight	2.5 Kg
Warranty	3 Year

PART NUMBER ETV90FBLED

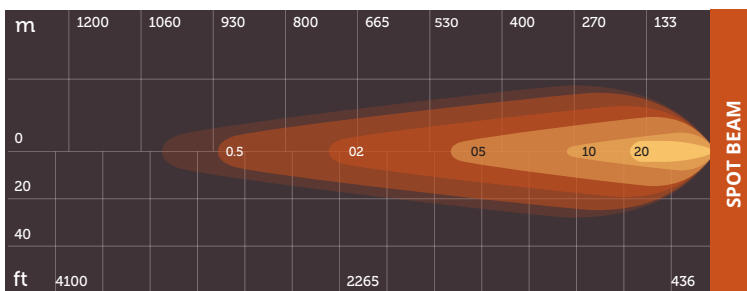




Comes with Clear Lens Cover

FIREBLADE 120W

Delivers exceptional performance. Utilizing a projector optic that gives an exceptional pencil beam as well as a good spread, This enables 750m of functional driving light from 12,000 effective Lumens. The stainless steel mounting system makes adjustment simple, but able to Withstand high levels of vibration. Supplied with a Polycarbonate lens cover and Deutsch wiring harness.

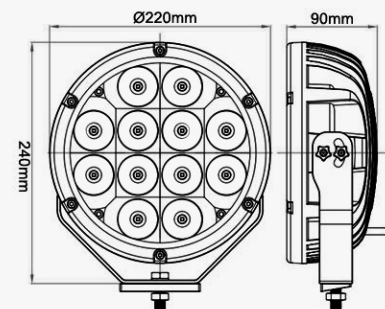


lux 0.5 1 2 5 10 15

SPECIFICATIONS

Wattage	120 Watt
Light Source	12pcs x 10W Cree LEDs
Light Output	12,000 Lumen
Voltage	10V-30V DC
Current Draw	7A@12V
Operating Temp.	-40°C to +80°C
IP Rating	IP67
Housing	Die-Cast aluminum
Lens Construction	Polycarbonate / Cover
Bracket	304 Stainless Steel
Lifespan	30,000 Hours
Beam	Spot
Color Temperature	6000K
Mounting Suitable	Side Mount
Net Weight	3.3 Kg
Warranty	3 Year

PART NUMBER ETV120FBLED

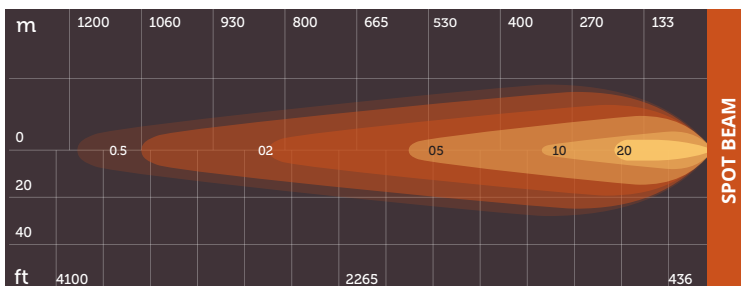




Comes with Clear Lens Cover

FIREBLADE 180W

Delivers exceptional performance. Utilizing a projector optic that gives an exceptional pencil beam as well as a good spread, This enables 850m of functional driving light from 18,000 effective Lumens. The stainless steel mounting system makes adjustment simple, but able to Withstand high levels of vibration. Supplied with a Polycarbonate lens cover and Deutsch wiring harness.

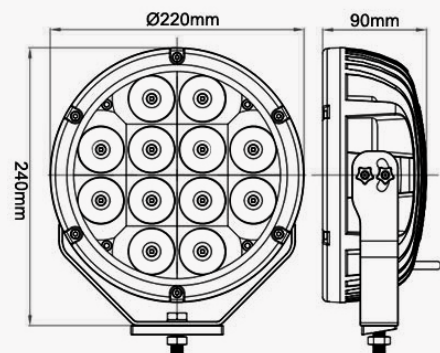


lux 0.5 1 2 5 10 15

SPECIFICATIONS

Wattage	180 Watt
Light Source	18pcs × 10W Cree LEDs
Light Output	18,000 Lumen
Voltage	10V-30V DC
Current Draw	10.5A@12V
Operating Temp.	-40°C to +80°C
IP Rating	IP67
Housing	Aluminum alloy
Lens Construction	Polycarbonate/Cover
Bracket	304 Stainless Steel
Lifespan	50,000 Hours
Beam	Spot
Color Temperature	6000K
Mounting Suitable	Side Mount
Net Weight	2.5 Kg
Warranty	3 Year

PART NUMBER ETV180FBLED

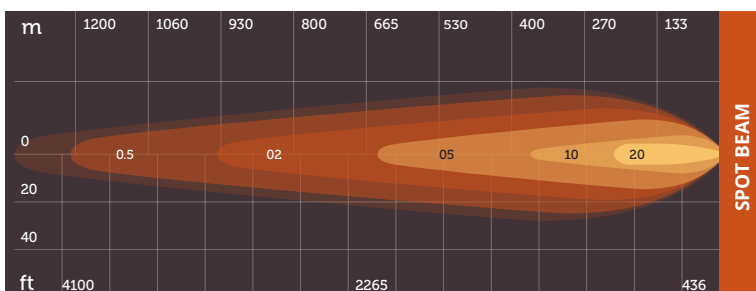




Comes with Clear Lens Cover

FIREBLADE 225W

Delivers exceptional performance. Utilizing a projector optic that gives an exceptional pencil beam as well as a good spread, This enables 1000m of functional driving light from 20,000 effective Lumens. The stainless steel mounting system makes adjustment simple, but able to Withstand high levels of vibration. Supplied with a Polycarbonate lens cover and Deutsch wiring harness.

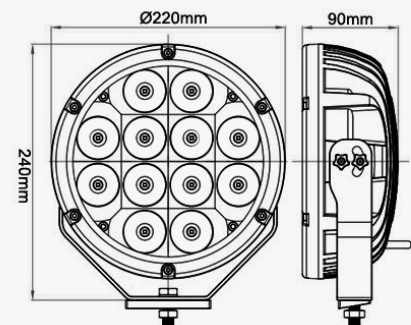


lux 0.5 1 2 5 10 15

SPECIFICATIONS

Wattage	225 Watt
Light Source	45pcs × 5W Cree LEDs
Light Output	20,000 Lumen
Voltage	10-30V DC
Current Draw	13.5A@12V
Operating Temp.	-40°C to +80°C
IP Rating	IP67
Housing	Aluminum alloy
Lens Construction	Polycarbonate / Cover
Bracket	304 Stainless Steel
Lifespan	50,000 Hours
Beam	Spot
Color Temperature	6000K
Mounting Suitable	Side Mount
Net Weight	3.3 Kg
Warranty	3 Year

PART NUMBER ETV225FBLED





ACCESSORIES





SPECIFICATIONS

Light Source	Cree LED Chips
Light Output	2,700 Lumen at 30W, Low Beam 3,600 Lumen at 40W, High Beam
Voltage	9V-100V
IP Rating	IP67
Housing	Die-Cast Aluminum Chrome or Black Finish
Lens Construction	Polycarbonate; anti-glare
Beam	High Low beam configuration
Dimensions	7" Round
Installation	Plug-in play
Certifications	DOT Certified
Lifespan	30,000+ Hours

PART NUMBERS

Chrome (2 per pkg)	EVS7RC
Black (2 per pkg)	EVS7RB

ROUND HEADLIGHTS

When you were a kid you had to be home by dark. Not anymore. With Earthtrack's 7" round sealed beam headlights, you can keep playing well into the night. And it won't matter if you are out in the mud or on city roads, because these LED headlights are DOT certified.

APPLICATIONS

- '76-'86 Jeep CJ-7
- '81-'85 Jeep CJ-8 Scrambler
- '97-'06 Jeep Wrangler TJ
- '04-'06 Jeep Wrangler LJ
- '07-'14 Jeep Wrangler JK 2 Door
- '07-'14 Jeep Wrangler Unlimited JK 4 Door
- 7 inch Universal Headlight

DOT CERTIFIED



30 WATT
LEDS



40 WATT
LEDS



9V-100V
MULTI-VOLT



IP67
WATERPROOF



30,000+ HR
LIFESPAN



AL 6061
HOUSING



IMPACT
RESISTANT



LOW
POWER DRAW



RECTANGULAR HEADLIGHTS

Waterproof, dustproof, and shockproof, Earthtrack's 5" rectangular LED headlights are DOT certified, making them an excellent choice for both off-road and on the road vehicles.

The filament-free LED light sources provide a durable, dependable design, and are not prone to failure due to shock and vibration.

Provides a bright, white light closer to that of daylight, and the non-yellowing coating on the lens ensures it stays that way.

Aluminum housing and metabolized reflector.

Advanced optic design with the use of two state of the art multiple LED arrays.

Encapsulated to protect electronics from damage due to moisture and corrosion.

DOT CERTIFIED

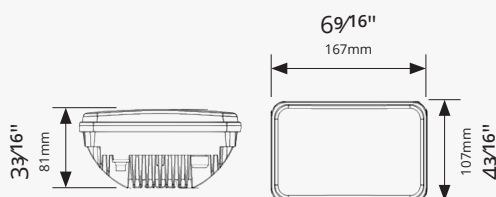


SPECIFICATIONS

Light Source	Cree LED Chips
Light Output	20W Low Beam + 8W, DRL Beam or 20W High Beam
Voltage	9V-33V
Beam Type	Low Beam + DRL or High Beam
Colour	6,500K
IP Rating	IP67
Housing	Die-Cast Aluminum Chrome or Black Finish
Lens Construction	Polycarbonate; non-yellowing coating
Beam	Low Beam configuration with DRL or High Beam configuration
Dimensions	67 x 107 x 81 mm (6 9/16" x 4 3/16" x 3 3/16")
Installation	Plug-in play
Certifications	DOT Certified
Lifespan	30,000-50,000 Hours

PART NUMBER

Low Beam	EVS59REL
High Beam	EVS59REH





SPECIFICATIONS

Wattage	15 Watt
Light Source	5 × 3W LEDs
Light Output	1,000 Lumen
Battery	7.4V 4400mA rechargeable Li-battery
Charging Time	5–6 hours
Discharge Time	3–4 hours (at 100% brightness)
Charger	DC plug and AC adapter
Lifespan of Battery	500 charge/discharge cycles
Base	Magnetic
IP Rating	IP65
Beam	Spot / Flood
Color Temperature	6,500K

MODEL NUMBER: ETMS-RL15M



- No exposed wire
- Heavy duty handle
- Extra rubber impact covering
- Battery level indicator/beep
- Longer run time
- Emergency beep
- USB Port Phone Charger

SPECIFICATIONS

Wattage	15 Watt
Light Source	5 × 3W LEDs
Light Output	1,000 Lumen
Battery	7.4V 4400mA rechargeable Li-battery
Charging Time	5–6 hours
Discharge Time	3.5 hours (at 100% brightness) 11 Hours (at low mode)
Charger	240VAC / 12VDC
Lifespan of Battery	500 charge/discharge cycles
Base	Magnetic
IP Rating	IP65
Color Temperature	6,500K

MODEL NUMBER: ETMS-RL15X

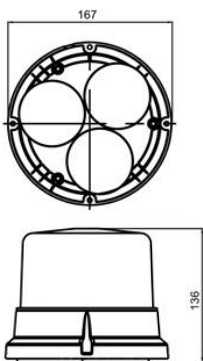


LED BEACON LIGHT

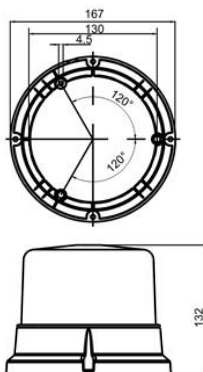
Low current draw, PC Lens with polished outer surface, Do not accumulate dust or dirt, Uniform 360° light distribution.

Magnetic Mount use up to 80kph.

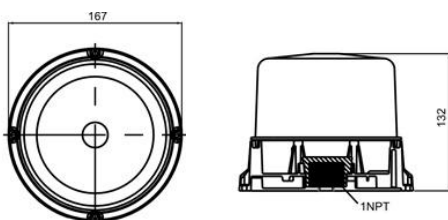
MAGNETS MOUNT



THREE BOLTS MOUNT



FLAT PIPE MOUNT



SPECIFICATIONS

Light Source	PCS SMD LED
Voltage	10–30V
Mount	3 Sets Magnets / 3 Bolts / Flat pipes Surface Mount
Current Consumption	40W/Average 18W
IP Rating	IP67
Approvals	ECE R65/R10 (EMC)/SAE Class 1
Lens Colour	Clear & Colour
Operating Temp	-40°C ~ 65°C
Sealing	0.5m
Installation	Plug-in play
Net Weight	1.34Kg

PART NUMBER

Low Beam	EVBL18
----------	--------

FLASH PATTERNS (FLASHES PER MINUTE)

Double	74
Triple	76
Quad	75
Rotate	143



HEADLAMP

Earthtrack's waterproof IP67 LED headlamp is suited to many different types of job sites and work applications, providing you with safe, hands free lighting.

It gives you the level, type, and direction of light that you need with three modes to choose from - high, low, and strobe, as well as an angle adjustment of 90 degrees.

But when the work day is done and it's time to play, the EVHL900 keeps on working. It is great for hiking, cycling, jogging, camping, and many other outdoor activities.

Comes complete with 2 rechargeable batteries and a built in charger.

PART NUMBER EVHL900

Light Source	Cree XML-T6 LED
Light Output	900 Lumen
Power	10W
Power Source	2 × 18650 batteries
Rechargeable	Yes
Material	6061-T6 aviation aluminum
IP Rating	IP67
Distance	100 – 200 meters
Runtime	3 / 5 hours (on H / L)
Modes	High, Low, Strobe
Net Weight	180 g (6.3 oz.) without batteries



FLASHLIGHT WITH POCKET CLIP

Comes complete with flashlight, pocket clip, battery, and battery charger.

1,100 Lumen

PART NUMBER EVFL01

Light Source	Cree XML29T6 LED
Light Output	1,100 Lumen
Wattage	10 Watt
Power Source	1×18650 /2×16340 / 2×CR123A Li-on
Rechargeable	Yes
IP Rating	IP67
Housing	6061-T6 aviation aluminum
Range	200–300 m (656–984 ft.)
Runtime	2 / 4 / 6 hours (on H / M / L)
Modes	High / Med / Low / Strobe / SOS
Dimensions	13 × 3.2 × 2.5 cm (5 1/8" × 1 1/4" × 1")
Net Weight	106 g (0.24 lb.) without battery
Warranty	1 year



1,100 Lumen

FLASHLIGHT WITH WRIST STRAP

Comes complete with flashlight, wrist strap, battery, and battery charger.



3,800 Lumen

FLASHLIGHT WITH WRIST STRAP

Comes complete with flashlight, wrist strap, battery, and battery charger.

SPECIFICATIONS

Light Source	Cree XML2 LED
Light Output	1,100 Lumen
Wattage	10 Watt
Power Source	1 × 18650 Li-on battery
Rechargeable	Yes
IP Rating	IP67
Housing	6061-T6 aviation aluminum, Aluminum alloy casing
Range	200–300 m (656–984 ft.)
Runtime	2 / 4 / 6 hours (on H / M / L)
Modes	High / Med / Low / Strobe / SOS
Dimensions	16 × 4.8 × 2.5 cm (6 5/16" × 1 7/8" × 1")
Net Weight	175 g (0.40 lb.) without battery
Warranty	1 year

PART NUMBER EVFL03

SPECIFICATIONS

Light Source	Cree U2 LED
Light Output	3,800 Lumen
Wattage	50 Watt
Power Source	4 × 18650 Li-on battery
Rechargeable	Yes
IP Rating	IP67
Housing	6061-T6 aviation
Range	300 m (984 ft.)
Runtime	2 / 4 / 6 hours (on H / M / L)
Modes	High / Med / Low / Strobe / SOS
Dimensions	15.5 × 7.0 × 5.8 cm (6 1/8" × 2 3/4" × 2 1/4")
Net Weight	150 g (0.33 lb.) without battery
Warranty	1 year

PART NUMBER EVFL06



PROTECT YOUR INVESTMENT



ANTI-THEFT NUTS

PART NUMBER	DESCRIPTION	UNITS
PV2ATN	Anti-Theft Nuts – 1/2"	Single
PV4ATN	Anti-Theft Nuts – 3/8"	Single
PV6ATN	Anti-Theft Nuts – 1/4"	Single



www.etms.com.au

www.earthtrackgroup.com.au

1300 410 485

sales@etms.com.au

34 Remisko Drive, Forrestdale, WA 6112

